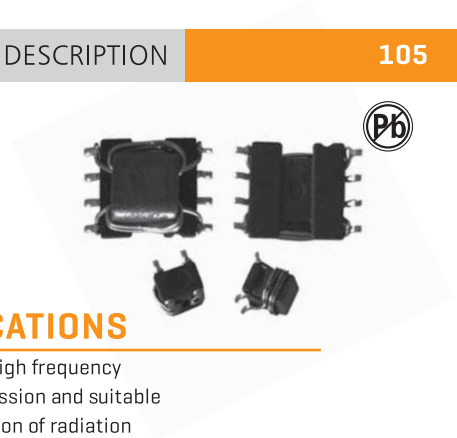


# COMMON MODE CHOKES FASB0404SS,0604 SERIES



## FEATURES

High common mode impedance in small size.  
It is effective for common mode noise suppression in digital equipment which radiation is caused from cables.  
Suitable for reflow soldering.  
Rated current:0.65A to 3.0A.  
Parameters Test Temp:20°C.  
Test Frequency:100MHz.  
Operating temperature:-25°C to +105°C.  
Storage Temp:-0°C to +40°C.  
Resistance to Soldering Heat:260°C for 10 sec.  
Temperature Rise:40°C Typ. at Rated Current.  
All parts meet ROHS compliance:

## APPLICATIONS

Effective in high frequency noise suppression and suitable for suppression of radiation noise in signal cables.  
The dual winding type common mode choke coil choke coil structure enables noise suppression without degrading the signal.

## GENERAL SPECIFICATIONS

SB XXXX - XXX  
Fpr example:SB0604-015

## ELECTRICAL CHARACTERISTICS

Part Number	Impedance [Ohm]Min	D.C.R [Ohm]Max at 20°C	Rated current [mA]Max	Hi-Pot
FASB0404SS-334R	334	100	3000	AC250/1mA/1S

Part Number	Impedance [Ohm]Min	D.C.R [Ohm]Max at 20°C	Rated current [mA]Max	Hi-Pot
FASB0604-015	70	60	900	AC250/1mA/1S
FASB0604-025	180	65	800	AC250/1mA/1S
FASB0604-035	280	80	700	AC250/1mA/1S
FASB0604-045	380	120	650	AC250/1mA/1S

## TECHNICAL INFORMATION AND ELECTRICAL SCHEMATIC & PAD LAYOUT

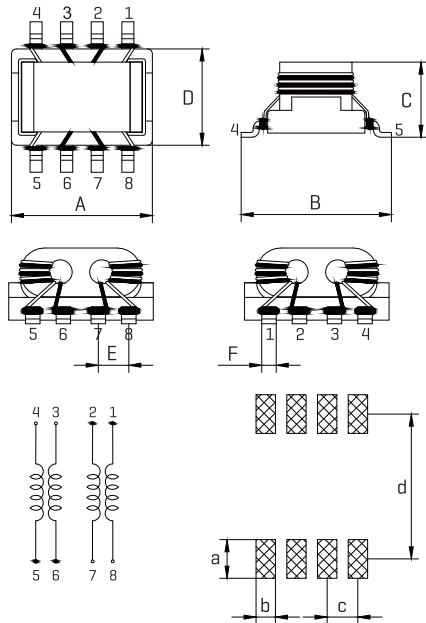


FIG1.

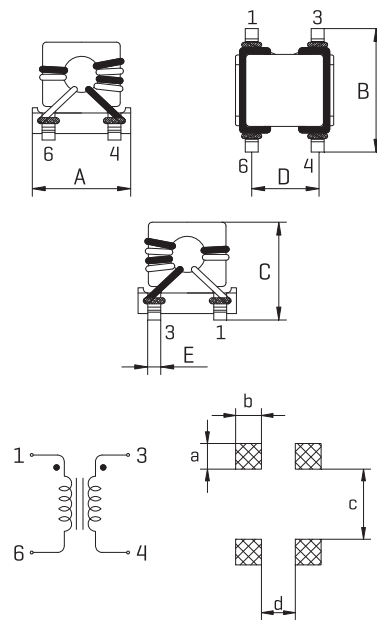


FIG2.

### DIMENSIONS:MM

Part number	A	B	C	D	E	F	a	b	c	d	FIG
FASB0404SS	3.8±0.3	4.90±0.3	5.00 Max	2.54±0.2	0.50 REF		1.10 REF	1.10 REF	3.00 REF	1.44 REF	2
FASB0604	5.85±0.3	6.25±0.3	3.60 Max	4.00±0.3	1.27 REF	0.50 REF	1.60 REF	0.80 REF	1.27 REF	6.00 REF	1