

HIGH CURRENT SURFACE-MOUNT WIRE-WOUND INDUCTORS FALQH1206C SERIES



FEATURES :

- Ceramic Core
- High Frequency Design
- Lower DCR permits High I_{dc}
- Available in E12 series
- Excellent Q SRF Values
- Lead free versions
- RoHS compliant
- Excellent Thermal Stability

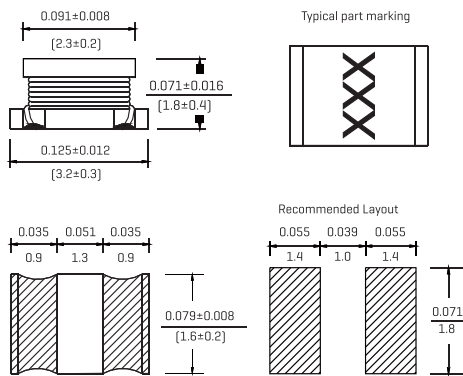
OPTIONS:

- Tape & Reel is Standard (Qty: 2000pcs)
- Bulk packaging Available for Smaller Quantities
- Tolerance: K=10%,M=±20% is Standard,Tighter Tolerances Available

COMMON APPLICATIONS:

- Modems PDP,LCD TVs converter
- Mobile Radios DC/DC converter
- Cordless Telephones Car radios
- Global Positioning Systems
- Wireless Communications Equipment
- Networking System,xDSL Filter
- Computer Products and Peripherals

PHYSICAL CHARACTERISTICS:



DIMENSIONS: $\frac{\text{INCHES}}{\text{mm}}$

STANDARD SPECIFICATION:

Part Number	L [μH]	L Test Freq [KHz]	Q [Min]	Q Test Freq [MHz]	SRF [MHz]	DCR [ohmMax]	IDC [mA Max]
FALQH-1206C-R12M	0.12	1	10	1	250	0.112	970
FALQH-1206C-R22M	0.22	1	10	1	250	0.140	850
FALQH-1206C-R47M	0.47	1	10	1	180	0.210	700
FALQH-1206C-1R0M	1.0	1	20	1	100	0.392	510
FALQH-1206C-2R2M	2.2	1	20	1	50	0.574	430
FALQH-1206C-4R7M	4.7	1	20	1	31	0.910	340
FALQH-1206C-100K	10	1	20	1	20	1.82	230
FALQH-1206C-220K	22	1	20	1	14	4.20	160
FALQH-1206C-470K	47	1	20	1	10	11.2	100
FALQH-1206C-101K	100	1	30	0.796	7.0	16.8	80

Note:1. K=±10%,M=±20%

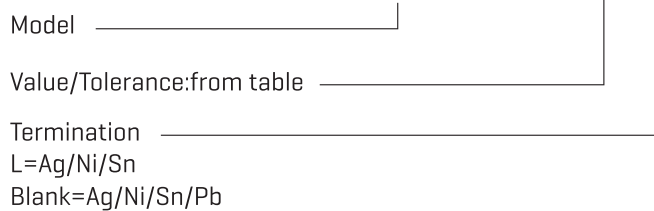
ELECTRONICAL SCHEMATIC:



TECHNICAL INFORMATION:

- Inductance Testing: HP4291A,HP16193A,HP4286A or equivalent
- RDC:QuadTech 1880 Milliohm meter
- Q- HP4342A
- SRF-HP4191A
- Rated Current L value drop10%typ.at IDC against its initial value
- Temperature rise 40°C Max Reference ambient temperature
- Solderability: 75% of the terminal electrode shall be covered
- Soldering Methods: Wave,Reflow
- Operating Temperature:-25°C to +85°C
- Storage Temperature: -55°C to +125°C
- Note: All specifications subject to change without notice.

FALQH1206C - 100 M



HIGH CURRENT SURFACE-MOUNT WIRE-WOUND INDUCTORS FALQH1210C SERIES



FEATURES :

Ceramic Core
 High Frequency Design
 Lower DCR permits High Idc
 Available in E12 series
 Excellent Q SRF Values
 Lead free versions
 RoHS compliant
 Excellent Thermal Stability

OPTIONS:

Tape & Reel is Standard
 (Qty : 2000pcs)
 Bulk packaging Available
 for Smaller Quantities
 Tolerance : K=10%,M=20% is
 Standard,Tighter Tolerances Available

COMMON APPLICATIONS:

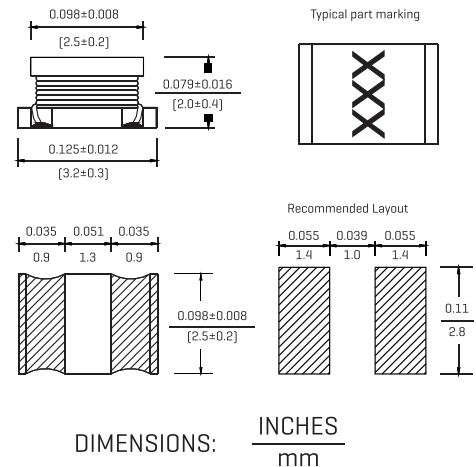
Modems PDP,LCD TVs converter
 Mobile Radios DC/DC converter
 Cordless Telephones Car radios
 Global Positioning Systems
 Wireless Communications Equipment
 Networking System,xDSL Filter
 Computer Products and Peripherals

STANDARD SPECIFICATION:

Part Number	L (μH)	L Test Freq (KHz)	Q (Min)	Q Test Freq (MHz)	SRF (MHz)	DCR [ohmMax]	IDC [mAMax]
FALQH-1210C-1R0M	1.0	1	10	1	96	0.117	800
FALQH-1210C-2R2M	2.2	1	10	1	64	0.169	600
FALQH-1210C-4R7M	4.7	1	10	1	43	0.260	450
FALQH-1210C-100K	10	1	20	1	26	0.572	300
FALQH-1210C-220K	22	1	20	1	19	0.923	250
FALQH-1210C-470K	47	1	20	1	15	1.69	170
FALQH-1210C-101K	100	1	30	0.796	10	4.55	100
FALQH-1210C-221K	220	1	30	0.796	6.8	10.9	70
FALQH-1210C-331K	330	1	30	0.796	5.6	13.0	60
FALQH-1210C-391K	390	1	30	0.796	5.0	22.1	60
FALQH-1210C-471K	470	1	30	0.796	5.0	24.7	60
FALQH-1210C-561K	560	0.001	30	0.796	5.0	28.6	60

Note:1. K=±10%,M=±20%

PHYSICAL CHARACTERISTICS:



ELECTRONICAL SCHEMATIC:

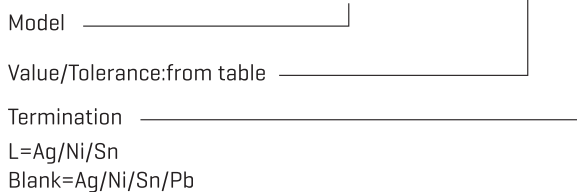


TECHNICAL INFORMATION:

- Inductance Testing: HP4291A,HP16193A,HP4286A or equivalent
- RDC:QuadTech 1880 Milliohm meter
- Q- HP4342A
- SRF-HP4191A
- Rated Current L value drop10%typ.atIDC against its initial value
- Temperature rise 40°C Max Reference ambient temperature
- Solderability: 75% of the terminal electrode shall be covered
- Soldering Methods: Wave,Reflow
- Operating Temperature:-25°C to +85°C
- Storage Temperature: -55°C to +125°C

Note: All specifications subject to change without notice.

FALQH1210C - 100 M



HIGH CURRENT SURFACE-MOUNT WIRE-WOUND INDUCTORS FALQH1812C SERIES



FEATURES :

- Ceramic Core
- High Frequency Design
- Lower DCR permits High Idc
- Available in E12 series
- Excellent Q SRF Values
- Lead free versions
- RoHS compliant
- Excellent Thermal Stability

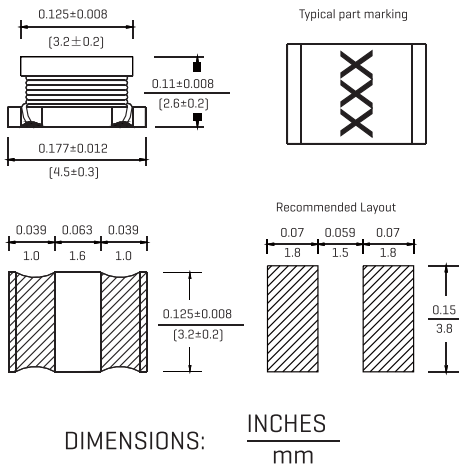
OPTIONS:

- Tape & Reel is Standard (Qty : 500pcs)
- Bulk packaging Available for Smaller Quantities
- Tolerance : K=10%,M=20% is Standard,Tighter Tolerances Available

COMMON APPLICATIONS:

- Modems PDP,LCD TVs converter
- Mobile Radios DC/DC converter
- Cordless Telephones Car radios
- Global Positioning Systems
- Wireless Communications Equipment
- Networking System,xDSL Filter
- Computer Products and Peripherals

PHYSICAL CHARACTERISTICS:



STANDARD SPECIFICATION:

Part Number	L (μH)	L Test Freq (KHz)	Q (Min)	Q Test Freq (MHz)	SRF (MHz)	DCR (ohmMax)	IDC (mA Max)
FALQH-1812C-1R0M	1.0	1	10	1	100	0.08	1080
FALQH-1812C-1R5M	1.5	1	10	1	85	0.09	1000
FALQH-1812C-2R2M	2.2	1	10	1	60	0.11	900
FALQH-1812C-3R3M	3.3	1	10	1	47	0.13	800
FALQH-1812C-4R7M	4.7	1	10	1	35	0.15	750
FALQH-1812C-6R8M	6.8	1	10	1	30	0.20	720
FALQH-1812C-100K	10.0	1	20	1	23	0.24	650
FALQH-1812C-150K	15.0	1	20	1	20	0.32	570
FALQH-1812C-220K	22.0	1	20	1	15	0.60	420
FALQH-1812C-330K	33.0	1	20	1	12	1.00	310
FALQH-1812C-470K	47.0	1	20	1	10	1.10	280
FALQH-1812C-680K	68.0	1	20	1	8.4	1.70	220
FALQH-1812C-101K	100	1	20	0.796	6.8	2.20	190
FALQH-1812C-151K	150	1	30	0.796	5.5	3.50	130
FALQH-1812C-221K	220	1	30	0.796	4.5	4.00	110
FALQH-1812C-331K	330	1	30	0.796	3.6	6.80	100
FALQH-1812C-471K	470	1	30	0.796	3.0	8.50	90

Note:1. K=±10%,M=±20%

ELECTRONICAL SCHEMATIC



TECHNICAL INFORMATION

- Inductance Testing: HP4291A,HP16193A,HP4286A or equivalent
- RDC:QuadTech 1880 Milliohm meter
- Q- HP4342A
- SRF-HP4191A
- Rated Current L value drop 10% typ. at IDC against its initial value
- Temperature rise 40°C Max Reference ambient temperature
- Solderability: 75% of the terminal electrode shall be covered
- Soldering Methods: Wave,Reflow
- Operating Temperature: -25°C to +85°C
- Storage Temperature: -55°C to +125°C
- Note: All specifications subject to change without notice.

FALQH1812C - 100 M

Model _____

Value/Tolerance: from table _____

Termination _____

L=Ag/Ni/Sn
Blank=Ag/Ni/Sn/Pb