

# SHIELDED SURFACE-MOUNT POWER INDUCTORS FASDR62LCB-62CB SERIES



## FEATURES:

Magnetically Shielded Structure  
Low DC Resistance  
Large current up to 3.5A  
Excellent Mechanical Strength  
High Reliability and Excellent Solderability  
Low and square Profile  
High heat resistance

## OPTIONS:

Packaging: Tape & Reel is standard  
(Qty: 2000 pcs)  
Bulk packaging available for smaller quantities  
Tolerance: 10% and 5% is standard  
tighter tolerances available

## COMMON APPLICATIONS:

VCRs, Notebook, DC/DC Converters  
Video Digital Cameras  
Communication System  
Automotive Systems Power supplier  
LCD PDP Televisions  
Hard Disk Drives, Topset, XDSL  
Network Systems  
Computer Peripheral Equipment

## ELECTRICAL CHARACTERISTICS

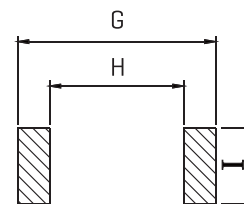
Part Number	L [μH]	Test Freq [kHz]	DCR ohm Max	IDC Max A
FASDR62LCB-1R2M	1.2	100	0.0298	3.50
FASDR62LCB-1R5M	1.5	100	0.0423	2.94
FASDR62LCB-2R0M	2.0	100	0.0456	2.47
FASDR62LCB-3R3M	3.3	100	0.0680	1.99
FASDR62LCB-4R7M	4.7	100	0.0860	1.59
FASDR62LCB-6R2M	6.2	100	0.1120	1.49
FASDR62LCB-8R2M	8.2	100	0.1380	1.25
FASDR62LCB-100M	10	100	0.1720	1.22
FASDR62LCB-120M	12	100	0.1900	0.99
FASDR62LCB-150M	15	100	0.2480	0.94
FASDR62LCB-180M	18	100	0.2640	0.83
FASDR62LCB-220M	22	100	0.3300	0.80
FASDR62LCB-270M	27	100	0.3640	0.65
FASDR62LCB-330M	33	100	0.5600	0.63
FASDR62LCB-390M	39	100	0.5800	0.55
FASDR62LCB-470M	47	100	0.6900	0.50
FASDR62CB-R82M	0.82	100	0.013	3.48
FASDR62CB-1R2M	1.2	100	0.018	2.83
FASDR62CB-1R8M	1.8	100	0.023	2.44
FASDR62CB-2R7M	2.7	100	0.033	1.89
FASDR62CB-3R3M	3.3	100	0.043	1.65
FASDR62CB-5R6M	5.6	100	0.057	1.37
FASDR62CB-100M	10	100	0.097	1.07
FASDR62CB-120M	12	100	0.116	0.97
FASDR62CB-150M	15	100	0.144	0.87
FASDR62CB-180M	18	100	0.163	0.79
FASDR62CB-220M	22	100	0.179	0.71
FASDR62CB-270M	27	100	0.246	0.64
FASDR62CB-330M	33	100	0.304	0.58
FASDR62CB-390M	39	100	0.341	0.53
FASDR62CB-470M	47	100	0.367	0.48
FASDR62CB-560M	56	100	0.438	0.44
FASDR62CB-680M	68	100	0.491	0.40
FASDR62CB-820M	82	100	0.596	0.36
FASDR62CB-101K	100	100	0.917	0.33

Note: L: K=±10%, M=±20%, N=±30%

## TECHNICAL INFORMATION:

Inductance Testing: HP4284A, HP4285A or equivalent  
RDC: QuadTech 1880 Milliohm meter  
Q - HP4342A  
SRF - HP4191A or HP4194A  
Rated Current L value drop 10% typ. at DC against its initial value  
Temperature rise 40°C Max Reference ambient temperature  
Solderability: 75% of the lead wire shall be covered  
Soldering Methods: Wave, Reflow  
Operating Temperature: -25°C to +85°C  
Storage Temperature: -55°C to +125°C  
Terminal bending strength: 24.5N Min  
Moisture resistance: ΔL/L ≤ ±10% ΔQ/Q ≤ ±25%

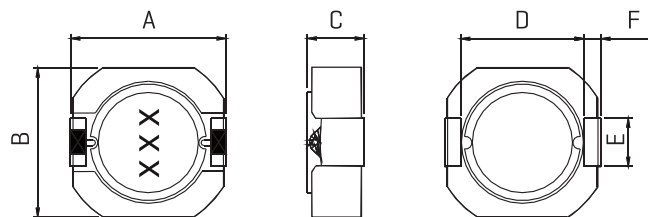
## PHYSICAL CHARACTERISTICS:



LAND PATTERNS



CONSTRUCTION



DIMENSIONS IN mm

Part number	A	B	C	D	E	F	G	H	I
FASDR62LCB	6.3Max	6.2Max	2.5Max	4.8	2.0	0.6	6.6	4.6	2.6
FASDR62CB	6.3Max	6.2Max	2.0Max	4.8	2.0	0.6	6.6	4.6	2.6

Note: All specifications subject to change without notice.

# SHIELDED SURFACE-MOUNT POWER INDUCTORS FASDR63LCB-63CB SERIES



## FEATURES:

- Magnetically Shielded Structure
- Low DC Resistance
- Large current up to 3.59A
- Excellent Mechanical Strength
- High Reliability and Excellent Solderability
- Low and square Profile
- High heat resistance

## OPTIONS:

- Packaging: Tape & Reel is standard (Qty: 2000pcs)
- Bulk packaging available for smaller quantities
- Tolerance: 10% and 5% is standard tighter tolerances available

## COMMON APPLICATIONS:

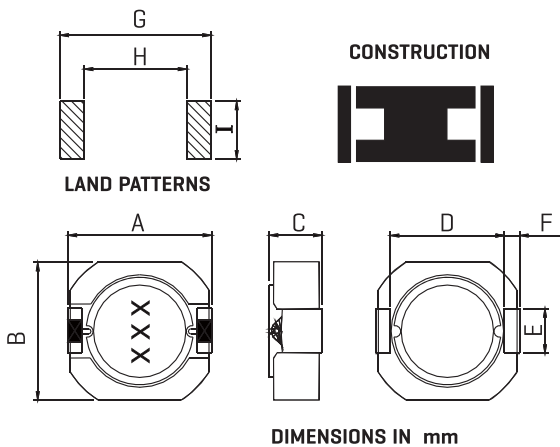
- VCRs, Notebook, DC/DC Converters
- Video Digital Cameras
- Communication System
- Automotive Systems Power supplier
- LCD PDP Televisions
- Hard Disk Drives, Topset, XDSL
- Network Systems
- Computer Peripheral Equipment

## ELECTRICAL CHARACTERISTICS:

Part Number	L [μH]	Test Freq [kHz]	DCR ohm Max	IDC Max A	Part Number	L [μH]	Test Freq [kHz]	DCR ohm Max	IDC Max A
FASDR63LCB-1R0M	1.0	100	0.013	3.59	FASDR63CB-2R0M	2.0	100	0.022	3.00
FASDR63LCB-1R5M	1.5	100	0.018	2.93	FASDR63CB-2R7M	2.7	100	0.024	2.69
FASDR63LCB-2R2M	2.2	100	0.021	2.42	FASDR63CB-3R3M	3.3	100	0.027	2.57
FASDR63LCB-3R3M	3.3	100	0.027	1.89	FASDR63CB-4R7M	4.7	100	0.036	2.08
FASDR63LCB-4R7M	4.7	100	0.039	1.66	FASDR63CB-6R8M	6.8	100	0.046	1.84
FASDR63LCB-6R2M	6.2	100	0.053	1.45	FASDR63CB-8R2M	8.2	100	0.052	1.54
FASDR63LCB-100M	10	100	0.079	1.14	FASDR63CB-100M	10	100	0.059	1.49
FASDR63LCB-120M	12	100	0.094	1.04	FASDR63CB-120M	12	100	0.070	1.28
FASDR63LCB-150M	15	100	0.115	0.93	FASDR63CB-150M	15	100	0.091	1.10
FASDR63LCB-180M	18	100	0.130	0.85	FASDR63CB-180M	18	100	0.104	1.05
FASDR63LCB-220M	22	100	0.145	0.77	FASDR63CB-220M	22	100	0.148	0.97
FASDR63LCB-270M	27	100	0.157	0.70	FASDR63CB-270M	27	100	0.158	0.82
FASDR63LCB-330M	33	100	0.211	0.63	FASDR63CB-330M	33	100	0.173	0.76
FASDR63LCB-390M	39	100	0.233	0.58	FASDR63CB-390M	39	100	0.205	0.70
FASDR63LCB-470M	47	100	0.276	0.53	FASDR63CB-470M	47	100	0.226	0.68
FASDR63LCB-560M	56	100	0.308	0.48	FASDR63CB-560M	56	100	0.275	0.60
FASDR63LCB-680M	68	100	0.330	0.44	FASDR63CB-680M	68	100	0.321	0.56
FASDR63LCB-820M	82	100	0.445	0.40	FASDR63CB-820M	82	100	0.369	0.47
FASDR63LCB-101K	100	100	0.540	0.36	FASDR63CB-101K	100	100	0.495	0.45
FASDR63LCB-151K	150	100	0.700	0.31	FASDR63CB-151K	150	100	0.640	0.37

Note: 1. K=±10%, M=±20%, N=±30%

## PHYSICAL CHARACTERISTICS:



Part number	A	B	C	D	E	F	G	H	I
FASDR63LCB	6.3Max	6.2Max	3.0Max	4.8	2.0	0.6	6.6	4.6	2.6
FASDR63CB	6.3Max	6.2Max	3.5Max	4.8	2.0	0.6	6.6	4.6	2.6

Note: All specifications subject to change without notice.

## TECHNICAL INFORMATION:

- Inductance Testing: HP4284A
- HP4285A or equivalent
- RDC: QuadTech 1880 Milliohmmete
- Q- HP4342A
- SRF-HP4191A or HP4194A
- Rated Current L value drop 10% typ. at 1 DC against its initial value
- Temperature rise 40°C Max
- Reference ambient temperature
- Solderability: 75% of the lead wire
- Shall be covered
- Soldering Methods: Wave, Reflow
- Operating Temperature: -25°C to +85°C
- Storage Temperature: -55°C to +125°C
- Terminal bending strength: 24.5N Min
- Moisture resistance
- ΔL/L ≤ ±10% ΔQ/Q ≤ ±25%