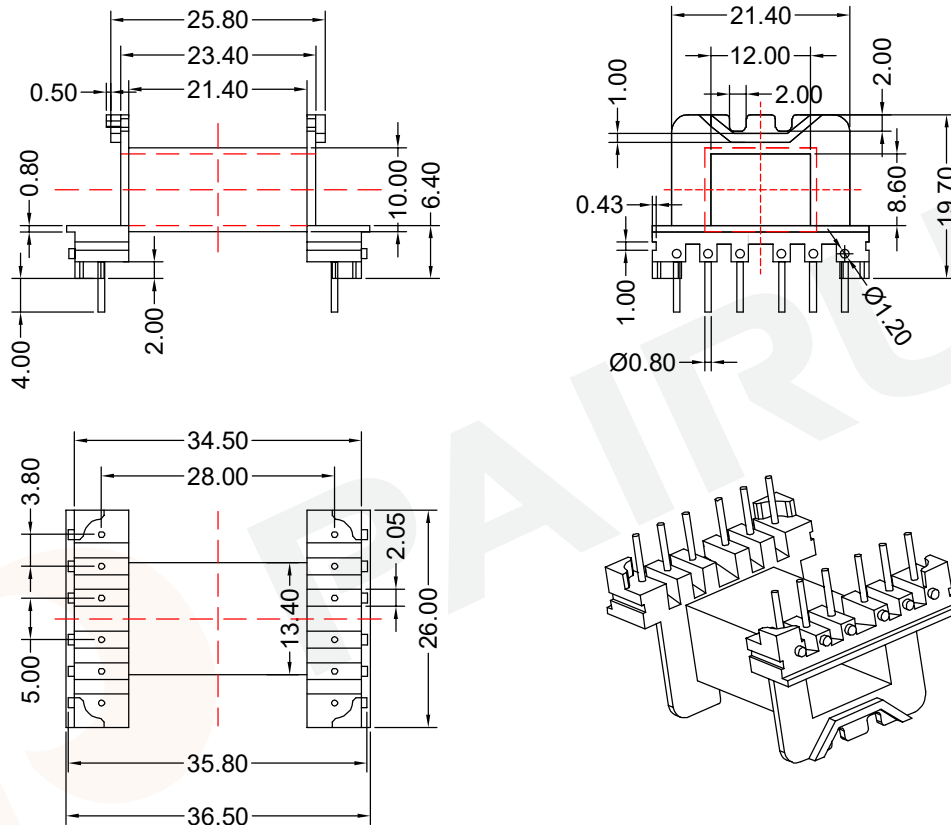


COIL FORMER  
General data 12-pins EVD30 coil former

PARAMETER	SPECIFICATION
Coil former material	phenolformaldehyde (PF), glass-reinforced, flame retardant in accordance with "UL 94V-0"; UL file number E136137
Pin material	copper-tin alloy (CuSn), tin (Sn) plated
Maximum operating temperature	180°C, "IEC 60085", class H
Resistance to soldering heat	"IEC 60068-2-20", Part 2, Test Tb, method 1B, 350 °C, 3.5 s
Soldeerability	"IEC 60068-2-20", Part 2, Test Ta, method 1

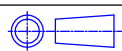


Winding data and area product for 12-pins EVD30 coil former

NUMBER OF SECTIONS	WINDING AREA (mm <sup>2</sup> )	MINIMUM WINDING WIDTH (mm)	AVERAGE LENGTH OF TURN (mm)	AREA PRODUCT Ae x Aw (mm <sup>4</sup> )	TYPE NUMBER
1	86	21.40	64	8050	EVD-3001-1S-12P

Tolerances unless otherwise specified:  
 $0 < L \leq 4 \pm 0.10$     $4 < L \leq 16 \pm 0.20$   
 $16 < L \leq 45 \pm 0.30$     $45 \leq L \pm 0.40$   
 Pin Dim:  $\pm 0.05$    Thickness:  $\pm 0.20$    Pin Pitch:  $\pm 0.20$

Dimensions:  
(mm)



REMARK

Mould No.:	Bobbin material: PF2A5-151J
Code No.: FAY01144	Available for Fuan core: EVD30



**Fuan Electronics**  
 TEL :0086-514-87693589  
 EML :sales@fuantronics.net  
 WEB:www.fuantronics.net

Make: P.Xiao	Material Number: A4A300100105
Checked: Beson. zhan	Document/Rev: 00
Approved: Anson. zhan	Date of Recognition: Nov./27/2019