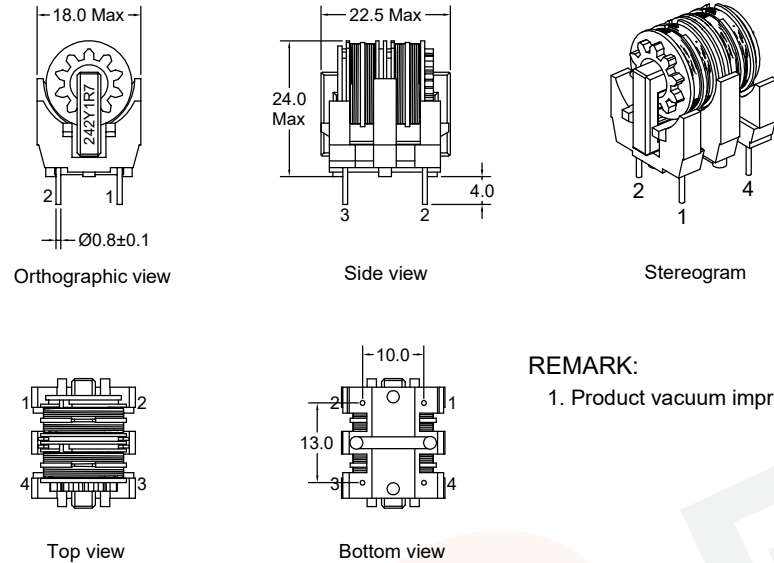


P/N: FACM20V-242Y1R7



Outline Dimensions (Unit:mm)

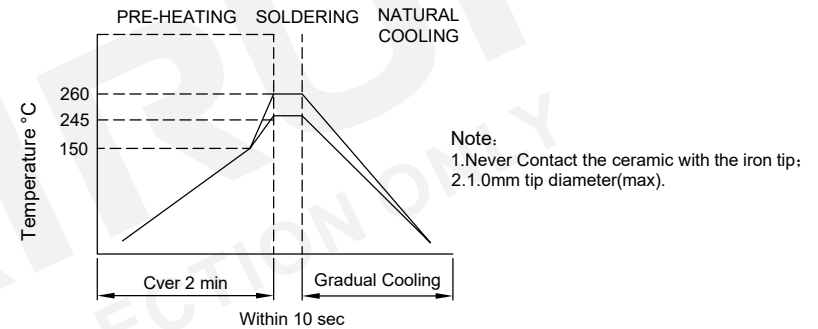


REMARK:
1. Product vacuum impregnation.

Electronical Schematic



Wave Soldering



Electrical Characteristics

Inductance : L1-2=4-3= 2.4mH Min,at 10KHz,0.1V.
D.C.Resistance : 1-2= 0.130 ohms Max.
4-3= 0.130 ohms Max.
Rated Current : 1.70A
Turns Ratio : Wdg1:Wdg2=1:1±1%,at 20KHz,1V.
Hipot : Coil-Coil : 1500VAC/3mA/2S.

General Properties:

Operating Temperature:-40°C to +105°C
(Temperature rise included).
Storage Temperature:-25°C to +85°C.
Storage Humidity:RH10%~70%.
Weight:≈10.0g.

List of UL Certificate:

| No. | Part Name | Mat'l Description | Supplier | UL Number |
|-----|-------------|-------------------|--|-----------|
| 1 | Bobbin | UT20-4S/PBT | Chang Chun Plastics Co Ltd | E59481 |
| | | | | |
| 2 | Base | UT20/T375J | Chang Chun Plastics Co Ltd | E59481 |
| | | | | |
| 3 | Copper wire | 2UEW-F/155C | Dong Guan YiDa Industrial Co Ltd | E344055 |
| | | 2UEW-F/155C | Elektrisola Hangzhou Co Ltd | E258243 |
| 4 | Core | UT20 TS10 | TDG Holding Co Ltd | N/A |
| | | UT20 GH10 | Su Zhou Guanda Magnet Co Ltd | N/A |
| 5 | Varnish | T-4260(a)/MW80-C | SuZhou TaiHu Electric Advanced Material Co Ltd | E228349 |
| | | | | |

| | | | | | | | | |
|-----|-------------|------|------|---|---|---|---|---|
| | | | | Tianchang Fuan Electronic Co Ltd www.fuantronics.net TEL: +86-550-7814888 FAX: +86-550-7831133 | Tolerances unless otherwise specified: (X)±0.50 (XX)±0.25 Unit of measurement: mm | Make: Qiumei.Liu Checked: Beson. zhan Approved: Anson. zhan | DRAWING TITLE UT20V COMMON-CODE FILTER INDUCTOR Material Number: A24CM20VS080 | Customer P/N: Document/Rev: 00 Specification Sheet: 1 of 1 Date of Recognition: Mar./13/2020 |
| REV | DESCRIPTION | APPD | DATE | | | | | |