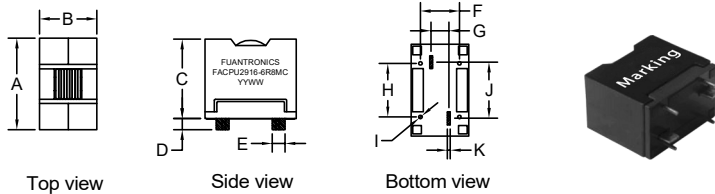


P/N: FACPU2916-6R8MC

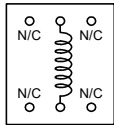


Outline Dimensions(Unit:mm)

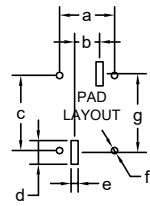


| A | B | C | D | E | F | G | H | I | J | K |
|-------|------|------|-------|-------|-------|-------|-------|-------|-------|-------|
| ±0.50 | Max | Max | ±0.50 | ±0.30 | ±0.30 | ±0.30 | ±0.30 | ±0.10 | ±0.30 | ±0.15 |
| 26.9 | 16.9 | 24.0 | 3.30 | 3.80 | 11.4 | 5.20 | 15.8 | Ø1.00 | 16.5 | 0.80 |

Electronical Schematic



Suggested Pad layout



| | |
|---|-----------|
| a | 11.4 REF |
| b | 5.20 REF |
| c | 15.8 REF |
| d | 5.00 REF |
| e | 1.40 REF |
| f | Ø1.30 REF |
| g | 16.5 REF |

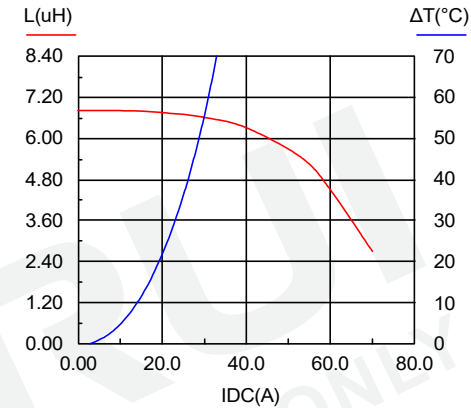
- ***Assemblage design, sturdy structure.
- ***High inductance, high current, low magnetic loss, low ESR, small parasitic capacitance.
- ***Flat wire winding, achieve a low D.C. Resistance.
- ***Temperature rise current and saturation current is less influenced by environment.

Electrical Characteristics(@25°C)

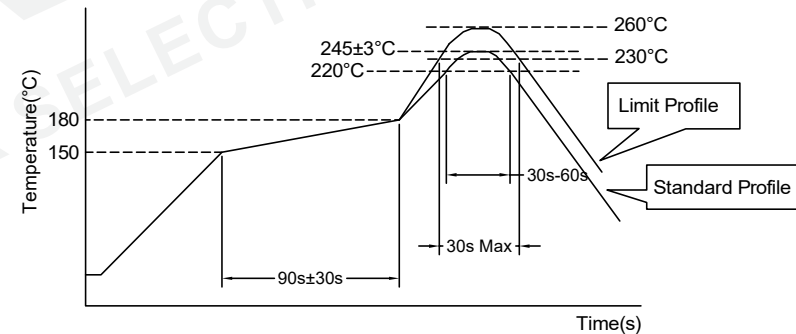
| Inductance 100KHz,0.1V | DC Resistor | Saturated current 53A | Temperature rise current 26A |
|---------------------------|-------------|-----------------------------|------------------------------------|
| 6.80uH±20% | 2.60mΩ Max | L(53A)=70%*L0A Typ | T≤40°C Typ |

- ***Saturation current: the actual value of DC current when the inductance decrease 30% of its initial value.
- ***Temperature rise current: the actual value of DC current when the temperature rise is ΔT40°C(Ta=25°C).
- ***Operating Temperature: -40°C~+125°C (Temperature rise included)
- ***Storage Temperature: -40°C~+125°C
- ***Storage Humidity:RH10%~70%.

Saturation current VS temperature rise current curve:



Recommended Soldering Temperature Graph.



| | Standard Profile | Standard Profile |
|------------------|---------------------|---------------------|
| Pre-heating | 150~180°C,90s±30s | |
| Heating | above 220°C,30s-60s | above 240°C,30s Max |
| Peak temperature | 245°C±3°C | 260°C,10s |
| Cycle of reflow | 2 times | |

| | | | | | | | | |
|-----|-------------|------|------|---|---|-----------------------|---|-----------------------------------|
| REV | DESCRIPTION | APPD | DATE | Tianchang Fuan Electronic Co Ltd www.fuantronics.net TEL: +86-550-7814888 FAX: +86-550-7831133 | Tolerances unless otherwise specified: (X)±0.50 (XX)±0.25 Unit of measurement: mm | Make: Qiumei.Liu | DRAWING TITLE HIGH CURRENT POWER INDUCTORS | Customer Name: |
| | | | | | | Checked: Beson. zhan | | Material Number: A342916XS020 |
| | | | | | | Approved: Anson. zhan | | Specification Sheet: 1 of 1 |
| | | | | | | | | Date of Recognition: Jan./02/2020 |