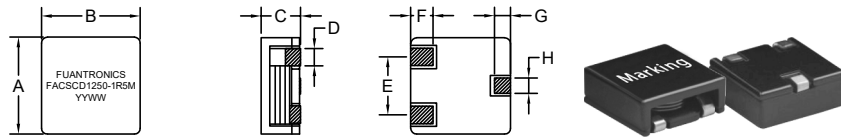


P/N: FACSCD1250-1R5M

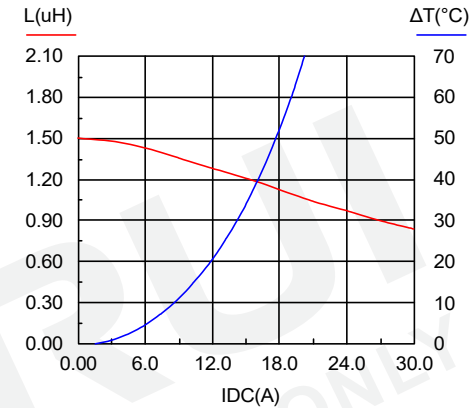


Outline Dimensions(Unit:mm)

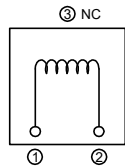


Top view		Side view		Bottom view			
A	B	C	D	E	F	G	H
Max	±0.20	Max	±0.20	REF	±0.50	REF	REF
13.5	12.8	5.30	2.40	7.60	2.50	2.00	2.00

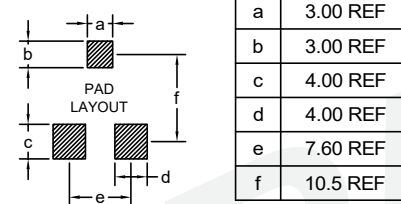
Saturation current VS temperature rise current curve:



Electronical Schematic

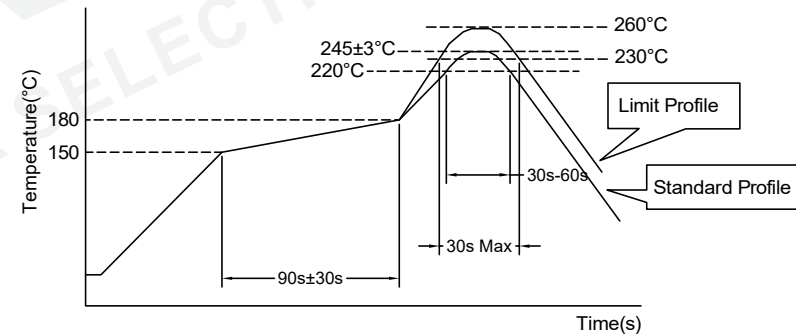


Suggested Pad layout



- \*\*\*Magnetic shielding structure, excellent resistance to electro magnetic interference.
- \*\*\*Assemblage design, sturdy structure.
- \*\*\*Small volume, high current, low magnetic loss, low ESR, small parasitic capacitance.
- \*\*\*Temperature rise current and saturation current is less influenced by environment.

Recommended Soldering Temperature Graph.



Electrical Characteristics(@25°C)

Inductance 100KHz,0.1V	DC Resistor	Saturated current 18A	Temperature rise current 16A
1.50uH±20%	3.50mΩ Max	L(18A)=70%*L0A Typ	T≤40°C Typ

- \*\*\*Saturation current: the actual value of DC current when the inductance decrease 30% of its initial value.
- \*\*\*Temperature rise current: the actual value of DC current when the temperature rise is ΔT40°C(Ta=25°C).
- \*\*\*Operating Temperature: -40°C~+125°C (Temperature rise included)
- \*\*\*Storage Temperature: -40°C~+125°C
- \*\*\*Storage Humidity:RH10%~70%.

	Standard Profile	Standard Profile
Pre-heating	150~180°C,90s±30s	
Heating	above 220°C,30s-60s	above 240°C,30s Max
Peak temperature	245°C±3°C	260°C,10s
Cycle of reflow	2 times	

REV	DESCRIPTION	APPD	DATE	Tianchang Fuan Electronic Co Ltd www.fuantronics.net TEL: +86-550-7814888 FAX: +86-550-7831133	 Tolerances unless otherwise specified: (X)±0.50 (XX)±0.25 Unit of measurement: mm	Make: Qiumei.Liu	<b>DRAWING TITLE</b> HIGH CURRENT POWER INDUCTORS	Customer Name:
						Checked: Beson. zhan		Material Number: A341250XS240
						Approved: Anson. zhan		Specification Sheet: 1 of 1
								Date of Recognition: Jan./02/2020