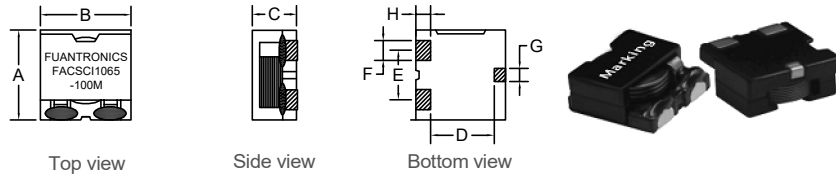


P/N: FACSCI1065-100M

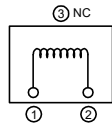


Outline Dimensions(Unit:mm)

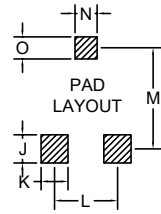


|     | A    | B     | C     | D   | E   | F       | G   | H   |
|-----|------|-------|-------|-----|-----|---------|-----|-----|
| Max | 10.5 | ±0.40 | ±0.30 | REF | REF | 2.0-2.6 | REF | REF |

Electronical Schematic



Suggested Pad layout



|   |          |
|---|----------|
| J | 2.50 REF |
| K | 3.00 REF |
| L | 5.60 REF |
| M | 8.85 REF |
| N | 2.00 REF |
| O | 1.80 REF |

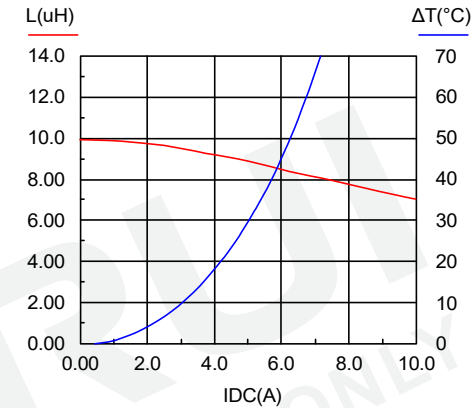
- \*\*\*Magnetic shielded structure: excellent resistance to electro magnetic interferenc(EMI).
- \*\*\*Assemblage design, sturdy structure.
- \*\*\*Small volume, high current, low magnetic loss, low ESR, small parasitic capacitance.
- \*\*\*Temperature rise current and saturation current is less influenced by environment.

Electrical Characteristics(@25°C)

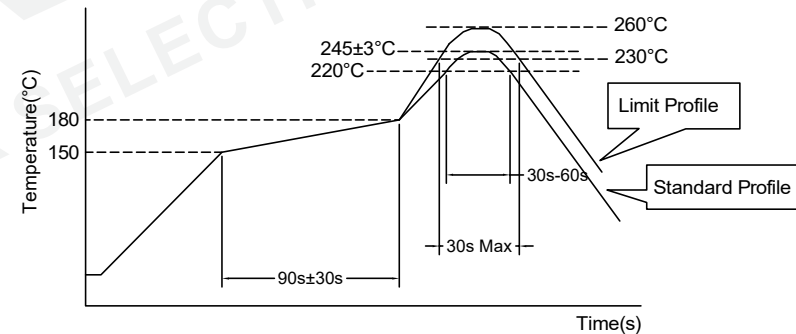
| Inductance<br>100KHz,0.1V | DC Resistor | Saturated<br>current<br>6A | Temperature<br>rise current<br>5.7A |
|---------------------------|-------------|----------------------------|-------------------------------------|
| 10.0uH±20%                | 21.0mΩ Max  | L(6A)=80%*L0A Typ          | T≤40°C Typ                          |

- \*\*\*Saturation current: the actual value of DC current when the inductance decrease 20% of its initial value.
- \*\*\*Temperature rise current: the actual value of DC current when the temperature rise is ΔT40°C(Ta=25°C).
- \*\*\*Operating Temperature: -40°C~+125°C. (Temperature rise included)
- \*\*\*Storage Temperature: -40°C~+125°C.
- \*\*\*Storage Humidity:RH10%~70%.

Saturation current VS temperature rise current curve:



Recommended Soldering Temperature Graph.



|                  | Standard Profile    | Standard Profile    |
|------------------|---------------------|---------------------|
| Pre-heating      | 150~180°C,90s±30s   |                     |
| Heating          | above 220°C,30s-60s | above 240°C,30s Max |
| Peak temperature | 245°C±3°C           | 260°C,10s           |
| Cycle of reflow  | 2 times             |                     |

|     |             |      |      |   |   |   |   |  |
|-----|-------------|------|------|---|---|---|---|--|
| REV | DESCRIPTION | APPD | DATE | Tianchang Fuan Electronic Co Ltd<br>www.fuantronics.net<br>TEL: +86-550-7814888<br>FAX: +86-550-7831133 | Tolerances unless otherwise specified:<br>(.X)±0.50 (.XX)±0.25<br>Unit of measurement: mm | Make: Qiumei.Liu<br>Checked: Beson. zhan<br>Approved: Anson. zhan | <b>DRAWING TITLE</b><br>HIGH CURREENT<br>POWER INDUCTORS<br>Material Number: A341065XS050 | Customer Name:<br>Document/Rev: 00<br>Specification Sheet: 1 of 1<br>Date of Recognition: Jan./02/2020 |
|     |             |      |      |   |   |   |   |  |
|     |             |      |      |   |   |   |   |  |