

PIBU-K2 20-60W

American standard series, 120-277V input, 0-10V dimming
(support Power and color temperature adjustment)



Features & benefits:

- Universal AC Input Voltage
- Linear form factor, Side feed, PP tube
- Isolated 0-10V dimming
- Economic Design
- Suitable for indoor use
- Class 2 output
- Operating temperature: -25°C ~+55°C
- Comply with UL8750

Optional Function

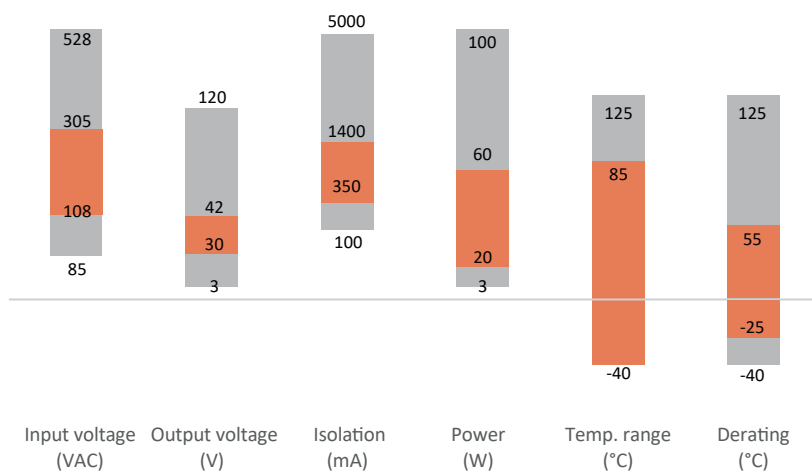
- Aux power & dim to off for flicker free type
- Build in INT or CCT selection switch
- Flicker free

Areas of application

- Indoor lighting
- Office lighting



Summary



Product datasheet

Technical data

Electrical data

Product Modle	Max. Output Power	Input Voltage	Output Current	Output Voltage Range	PF	Size(mm)
PIBU020C0540VSRMK2	21.6W	120-277V	350-540mA	30-42V	0.9/0.95	280*30*21
PIBU030C0800VSRMK2	30W	120-277V	420-800mA	30-42V	0.9/0.95	280*30*21
PIBU040C1050VSRMK2	40W	120-277V	500-1050mA	30-42V	0.9/0.95	280*30*21
PIBU050C1250VSRMK2	50W	120-277V	650-1250mA	30-42V	0.9/0.95	280*30*21
PIBU060C1500VSRMK2	60W	120-277V	800-1500mA	30-42V	0.9/0.95	280*30*21

※If you have other parameter requirements, please consult our sales staff

Technical data

Electrical Specifications

Category	Item	Technical Norm
Input	Rated Input Voltage	120-277VAC
	Range of Input Voltage	108-305VAC
	Frequency	50/60Hz 47-63Hz(120VAC,full load)
	Max. Input Current	PIBU020≤0.22A(120VAC,full load) PIBU030≤0.35A(120VAC,full load) PIBU040≤0.42A(120VAC,full load) PIBU050≤0.54A(120VAC,full load) PIBU060≤0.7A(120VAC,full load)
	Inrush Current	≤75A(277VAC,Cold Start)
	Leakage Current	≤0.75mA(277VAC,60Hz)
	Power Factor	≥0.95(120VAC,full load) ≥0.9(277VAC,full load)
	THD	≤20% (full load)
	Turn On Delay Time	≤0.75S(Cold Start,without dimmer)
output	Output Current	PIBU020 350-540mA PIBU030 420-800mA PIBU040 500-1050mA PIBU050 650-1250mA PIBU060 700-1400mA
	Current Tolerance	≤5%
	Output Voltage	30-42V
	Output Power	PIBU020≤21.6W PIBU030≤30W PIBU040≤40W PIBU050≤50W PIBU060≤60W
	Line Regulation	≤5%

Product datasheet

Technical data

Electrical Specifications

	Load Regulation	≤5%
	Current Ripple	≤10% Output current Full Load, $(I_{\text{omax}} - I_{\text{omin}}) / (I_{\text{omax}} + I_{\text{omin}})$, Flicker free
		≤30% Output current Full Load, $(I_{\text{omax}} - I_{\text{omin}}) / (I_{\text{omax}} + I_{\text{omin}})$, High ripple
	Output Current Overshoot	≤10%
INT selection	Built-in INT selection switch	3 positions
CCT selection	Build in CCT selection switch	CCT1=Channel 1 on, Channel 2 off CCT2=Channel 1 on, Channel 2 on CCT3=Channel 1 off, Channel 2 on
0~10V Dimming	Dimming Curve	Linear. See "Dimming curve"
	Absolute Maximum Voltage on 0~10V Pin	0-10V
	Source Current on 0~10V Dimming Pin	200-500uA
	Output Current Range	10%-100%, Non dim to off version 0%-100%, Dim to off version, Dim to off at VDIM=0
Auxiliary source 12V	Output Voltage	12Vdc
	Output Current	≤200mA
Protection	Over Voltage Protection	≤55V Auto Recovery
	Short Circuit Protection	Auto Recovery
Environment	Ta/Ambient Operation Temperature	-25....+55°C
	Ts/Storage Temperature	-40....+85°C
	Tc/Max. Case Temperature	90°C
	Ha/Operating Relative Humidity	10%....90%
	Acoustic Noise	≤24dBA
	Humidity	5%....95%RH
	Cooling	Convection Cooling
	IP Rating	Dry and damp UL approved
Wire rod	Enter the line	UL line UL1015 AWM-18AWG 600V L=300mm peel 10mm soak tin multi-strand black
	Enter the line	UL line UL1015 AWM-18AWG 600V L=300mm peel 10mm soak tin multi-strand white
	Output line	UL line UL1569 AWM-20AWG 300V L=500mm peel 8mm soak tin multi-strand red
	Output line	UL line UL1569 AWM-20AWG 300V L=500mm peel 8mm soak tin multi-strand blue
	Output line	UL line UL1569 AWM-20AWG 300V L=500mm peel 8mm soak tin multi-strand Black

Product datasheet

Technical data

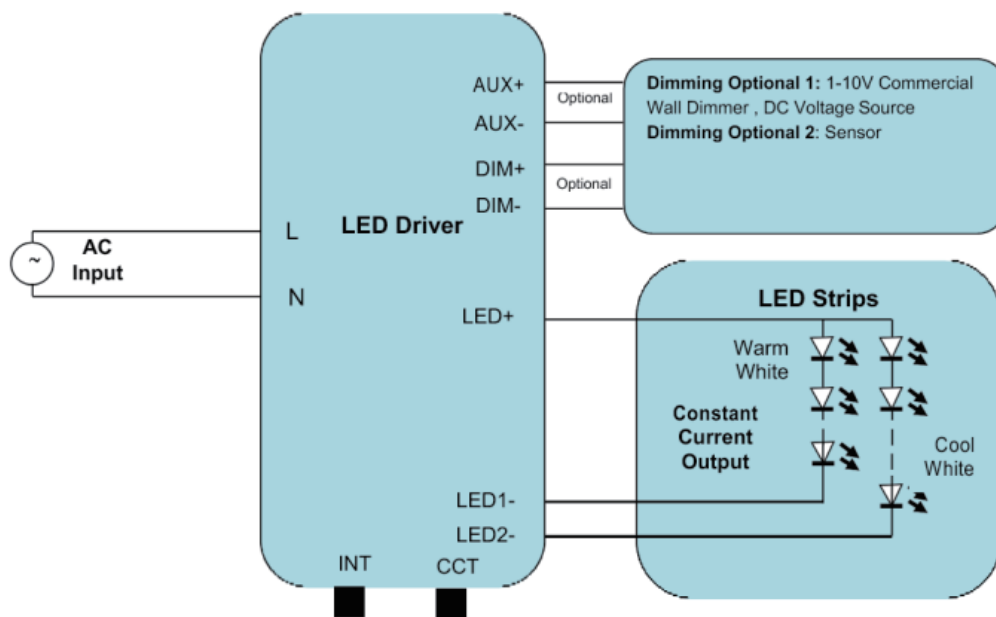
Electrical Specifications

	Turn up the light	UL line UL1015 AWM-20AWG 600V L=560mm peel 8mm soak tin multi-strand purple	
	Turn up the light	UL line UL1015 AWM-20AWG 600V L=560mm peel 8mm soak tin multi-strand pink	
	Auxiliary source line	UL line UL1015 AWM-20AWG 600V L=500mm peel 8mm soak tin multi-strand yellow	
Others	Life Time	≥50kHrs, Full Load, 90 °C Tc , 120VAC	
	MTBF	≥200kHrs, Full Load, 25 °C ambient temperature , 120VAC	
	Net Weight	Pxxx20 120g Pxxx40 142g	
	Warranty	50KHrs Warranty at Tc ≤90°C	
	Flicker	Title 24	
Safety Compliance	CAN/CSA-C22.2 No. 250.13	UL8750, CAN/CSA-C22.2 No. 250.13	
Electromagnetic Compliance	EMI Emissions	FCC Title 47 Part 15B Class B at 120VAC, Class A at 277VAC & 347VAC	
	Voltage Fluctuations and Flicker	IEC61000-3-3	
	Immunity Compliance		IEC 61000-4-2 ±8kV air Discharge, ±6kV Contact Discharge
			IEC 61000-4-5 or ANSI/IEEE C62.41-2002 ± 1kV, test at 2 Ω; 5 strikes/1minute interval (40 total strikes)
			ANSI/IEEE C62.41.1-2002 2.5kV Ring Wave, test at 30Ω 7 Strikes/1 minute interval, Common and Differential mode, 56 total strikes
			IEC 61000-4-11 >95% dip, .5 period; 30% dip, 25 periods; 95% reduction, 250 periods
		IEC 61000-4-4 ± 2kV Direct couple to Line input, 5kHz repetition rate, 15mS duration, 300mS period. 7 coupling paths, 1 minute per path (14 total combinations)	
Remark	Unless otherwise specified, all the above parameters are measured at ambient temperature of 25 °C and rated voltage		

Product datasheet

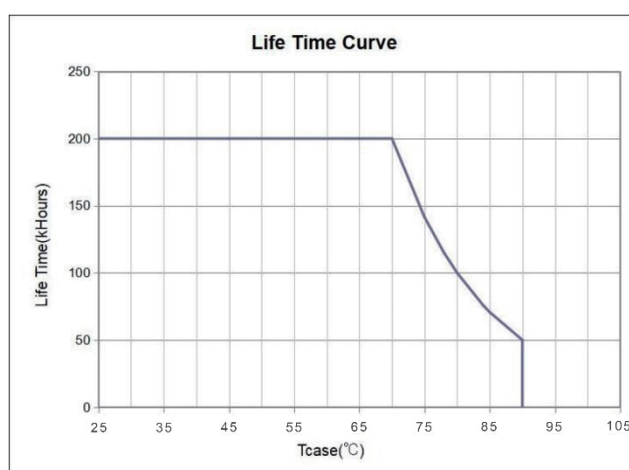
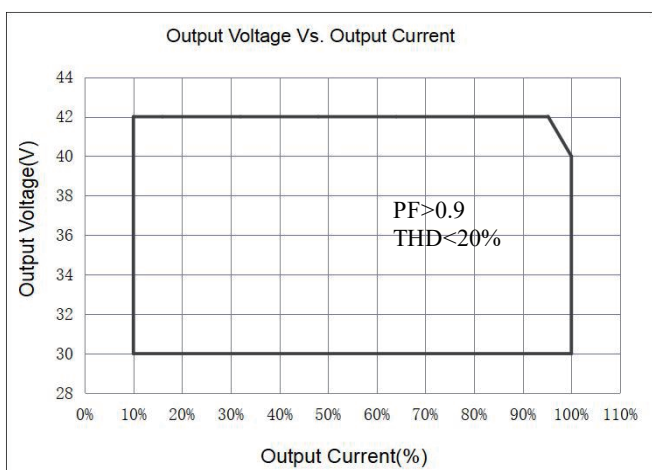
Technical data

Installation



Appearance information

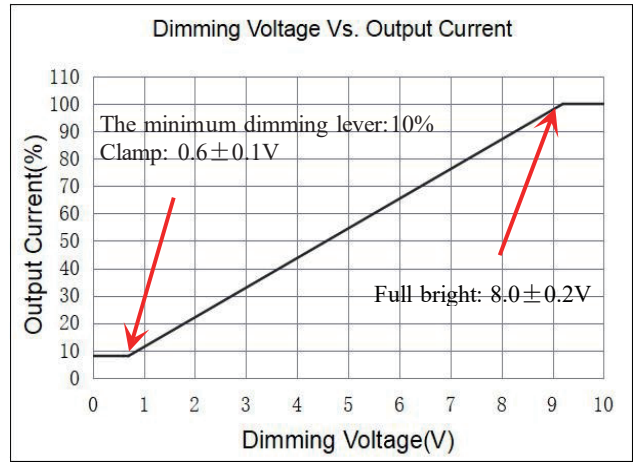
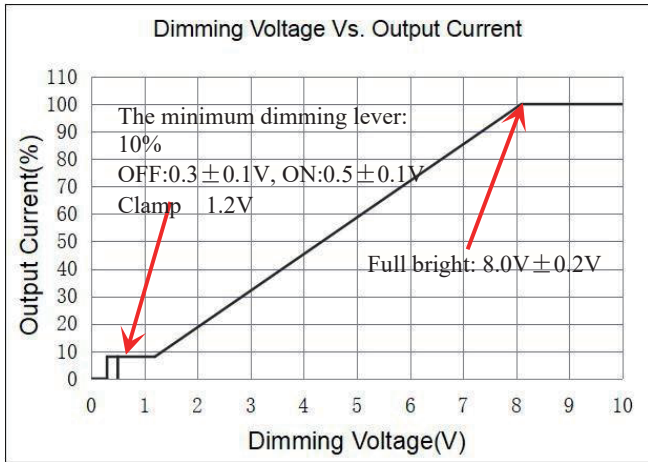
Typical Characteristics Curve



Product datasheet

Appearance information

Typical Characteristics Curve



Mechanical Drawing for troffer

Dimensions

