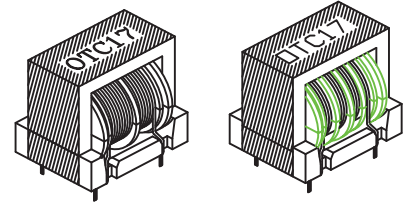


OTC-17 EMI FILTER

FAOTC17V series



FEATURES

Rated Voltage :85 to 265VAC, 50/60Hz.
 Insulation resistance: 100MΩ Min at 500Vdc.
 Turns ratio: N1:N2=1:1±2%.
 Test Frequency Response: 20KHz/0.1V.
 Withstanding Voltage: 1.5KVAC wind to core, line to line.
 Operating temperature range: -40°C to +105°C.
 All parts meet ROHS compliance.

PRODUCT IDENTIFICATION:

FA OTC 17 V - 2 - 602 Y 0R9
 ① ② ③ ④ ⑤ ⑥ ⑦ ⑧

- ①:Fuan Electronics
- ②:Series name
- ③:Product dimensions
- ④:V is to the vertical form, H is to the horizontal form
- ⑤:Trunking
- ⑥:Inductance Value
- ⑦:Minimum Value
- ⑧:Rated current

ELECTRICAL CHARACTERISTICS

REFERENCE RATING(2 GROOVES BOBBIN)

Part Number	Inductance (L)mH Min	D.C.R. mOHM Max.	Rate Current Amp(ac)REF	Wire DIA.φ (mm)
FAOTC17V-2-602Y0R9	6.0	180	0.90	0.40
FAOTC17V-2-103Y0R8	10.0	250	0.80	0.37
FAOTC17V-2-133Y0R7	13.0	350	0.70	0.35
FAOTC17V-2-183Y0R6	18.0	480	0.60	0.32
FAOTC17V-2-253Y0R5	25.0	650	0.50	0.30
FAOTC17V-2-323Y0R45	32.0	850	0.45	0.28
FAOTC17V-2-403Y0R36	40.0	1300	0.36	0.25

REFERENCE RATING(4 GROOVES BOBBIN)

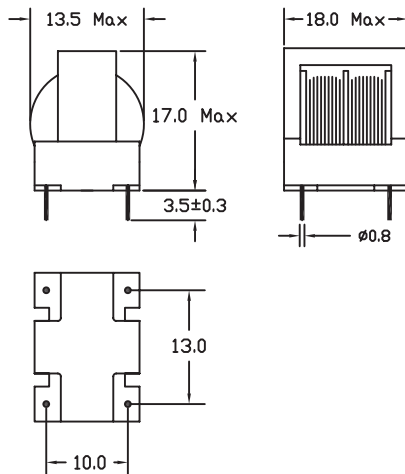
Part Number	Inductance (L)mH Min	D.C.R. mOHM Max.	Rate Current Amp(ac)REF	Wire DIA.φ (mm)
FAOTC17V-4-802Y0R6	8.0	360	0.60	0.32
FAOTC17V-4-113Y0R5	11.0	450	0.50	0.30
FAOTC17V-4-153Y0R45	15.0	600	0.45	0.28
FAOTC17V-4-253Y0R36	25.0	950	0.36	0.25
FAOTC17V-4-353Y0R3	35.0	1400	0.30	0.23
FAOTC17V-4-503Y0R23	50.0	2300	0.23	0.20

Special or custom-made specification is available by request

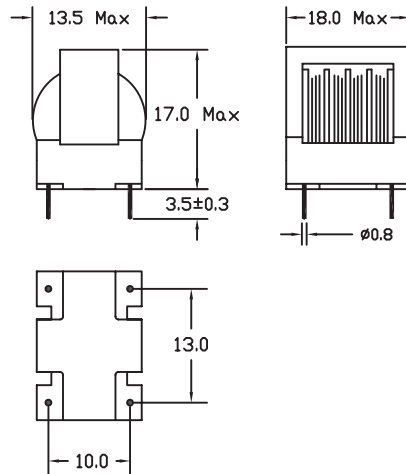
TECHNICAL INFORMATION

DIMENSION IN mm

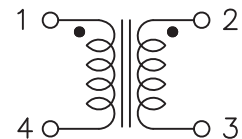
2 GROOVES BOBBIN:



4 GROOVES BOBBIN:



PHYSICAL CHARACTERISTICS



TOLERANCE

- 0 < L < 2 ±0.2
- 2 < L < 12 ±0.4
- 12 < L < 48 ±0.6
- Pin Pitch ±0.5
- Pin Diameter ±0.2