
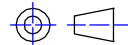


附注:

- 1.未注圆角为R0.05-0.2mm;
- 2.端子拉力: 1.4KG Min;
- 3.最大毛边允许0.05mm;
- 4.端子平面度: 0.1mm Max;
- 5.产品符合 RoHS环保要求。

Code No.: FAY01019

REMARK:		REV.	REVISIONS REC.	DATE:
1.		1.		
2.		2.		
DRAWN BY	Yuing.yu	TOLERANCES		ANGLE: ±1°
CHECKED BY	Yong.zhan	0<L<4 ±0.10		MODEL NAME: EFD15(5+5 PIN)-1S
APPROVED BY	Xueliang.zhan	4<L<16 ±0.20		UNIT: MM
		16<L<63 ±0.30		BOBBIN MATERIAL: PM9630
		Pin pitch: ±0.2		UL REC. UL 94V-0
		Wall thickness: ±0.15		SCALE: 2:1
 天长市富安电子有限公司 TIAN CHANG FUAN ELECTRONIC CO.,LTD TEL:+86-550-7814888 FAX:+86-550-7831133 Http: www.fuantronics.net		 DRAWING NO: SMD-EFD-1501		REV. 0 DATE: 2010.11.12