
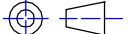


附注:

1. 未注圆角为R0.05-0.2mm;
2. 端子拉力: 1.0KG Min;
3. 最大毛边允许0.05mm;
4. 端子平面度: 0.1mm Max;
5. 产品符合RoHS环保要求;

Code No.: FAY 01019

REMARK:			REV.	REVISIONS REC.	DATE:	
1.			1.			
2.			2.			
DRAWN BY	Yuing.yu	TOLERANCES 0<L<4 ±0.10 4<L<16 ±0.20 16<L<63 ±0.30 Pin pitch: ±0.2 Wall thickness: ±0.15	ANGLE: ±1°	MODEL NAME: EFD20(5+5P)		
CHECKED BY	Yong.zhan		UNIT: MM	BOBBIN MATERIAL: PM9820	UL REC. UL 94V-0	
APPROVED BY	Xueliang.zhan		SCALE: 2:1	PIN MATERIAL: CP WIRE	REV. 0	
 天长市富安电子有限公司 TIAN CHANG FUAN ELECTRONIC CO.,LTD TEL:+86-550-7814888 FAX:+86-550-7831133 Http: www.fuantronics.net				DRAWING NO: SMD-EFD-2006	DATE: 2021.08.12	