

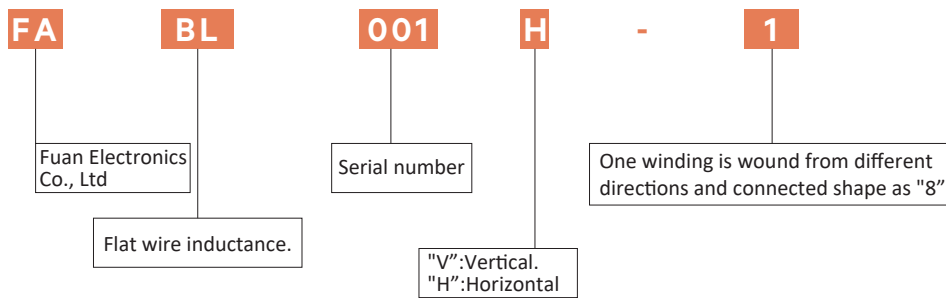
FLAT WIRE INDUCTOR

FABL SERIES



ELECTRICAL SPECIFICATION

- Operating temperature range: -40°C to +125°C (Including coils temperature rise)
- All parts meet RoHS compliance



ELECTRICAL CHARACTERISTICS

| Part No. | Ind. (uH) | Current(A) | | D.C.R (mΩ). typ |
|------------|-----------|-----------------|-----------------------|-----------------|
| | | Natural cooling | Air cooled or Potting | |
| FABL001H-1 | 310 | 40 | 50 | 7.8 |
| FABL002V-1 | 310 | 40 | 50 | 7.8 |
| FABL003H-1 | 220 | 33 | 42 | 11.8 |
| FABL004H-1 | 100 | 60 | 74 | 5.7 |
| FABL005H-1 | 120 | 63 | 79 | 7.0 |
| FABL006H-1 | 200 | 80 | 100 | 4.7 |
| FABL007V-1 | 60 | 100 | 120 | 1.7 |

TEST CONDITIONS:

- 1.All data is tested based on 25°C ambient temperature.
- 2.Inductance measure condition at 10KHz 1V.
- 3.Temperature rise current: the actual value of DC current when the temperature rise is T50°C (Ta=25°C).

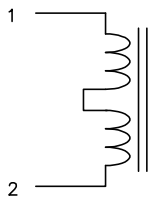
Product datasheet

ELECTRICAL INFORMATION

Dimension in mm

| Part No. | Dimensions(mm) | | | | | | | | | | | Fig. | |
|------------|----------------|----|------|-----|------|------|------|-----|-----|------|---|-------|---|
| | A | B | C | D | E | F | G | H | I | J | K | | |
| FABL001H-1 | 63 | 71 | 35 | 4 | 45 | 55 | 32.5 | 13 | 4.5 | | | 1.6*6 | 1 |
| FABL002V-1 | 66 | 42 | 74.5 | 4 | 59.5 | 33 | 32.5 | 5.5 | | | | 1.6*6 | 2 |
| FABL003H-1 | 63 | 81 | 33.5 | 4 | 63 | 53 | 29 | 24 | 4.5 | 13.5 | | 1.5*5 | 1 |
| FABL004H-1 | | | | | | | | | | | | | 4 |
| FABL005H-1 | | | | | | | | | | | | | 5 |
| FABL006H-1 | | | | | | | | | | | | | 3 |
| FABL007V-1 | 70 | 48 | 73 | 3.5 | 61.0 | 40.0 | 34.0 | 4.0 | | | | 3.2*6 | 2 |

Circuit diagram.



Winding (figure 8 winding)

Unit: mm

Tolerances:

.x: 0.50

.xx: 0.25

ELECTRICAL INFORMATION

Fig 1(H Horizontal continuous winding)

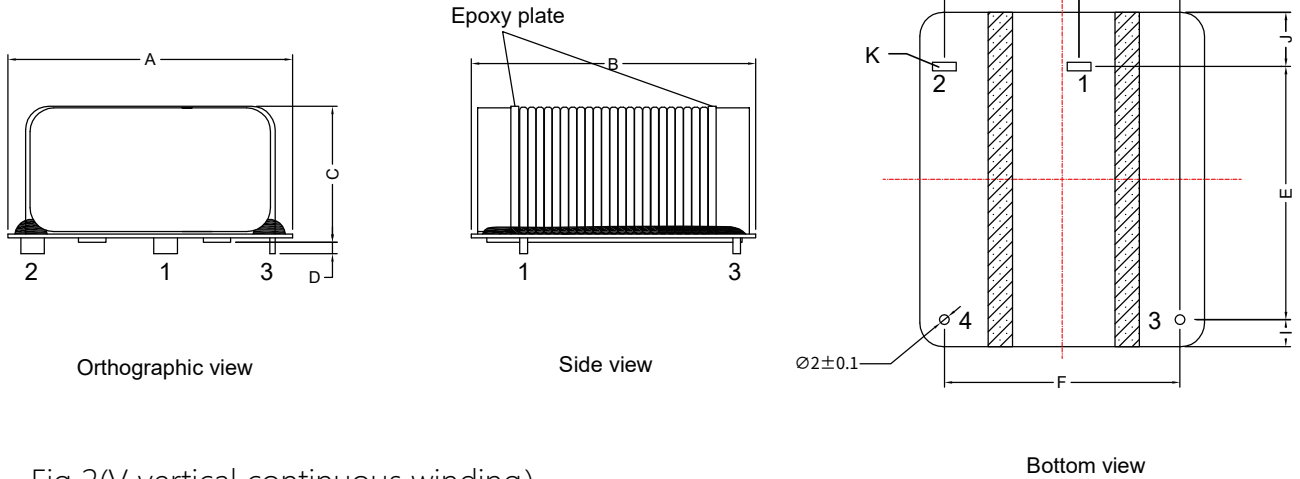


Fig 2(V vertical continuous winding)

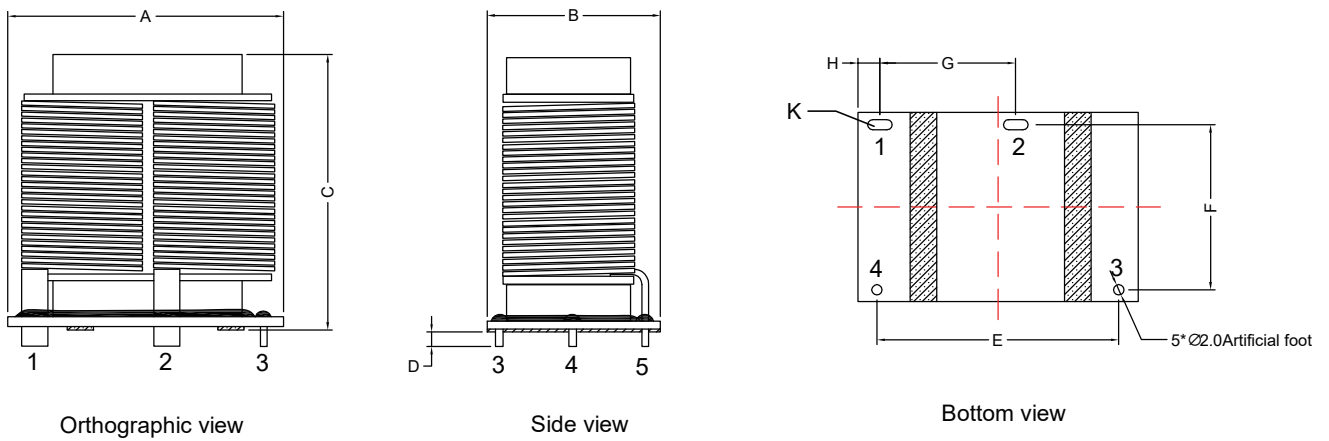
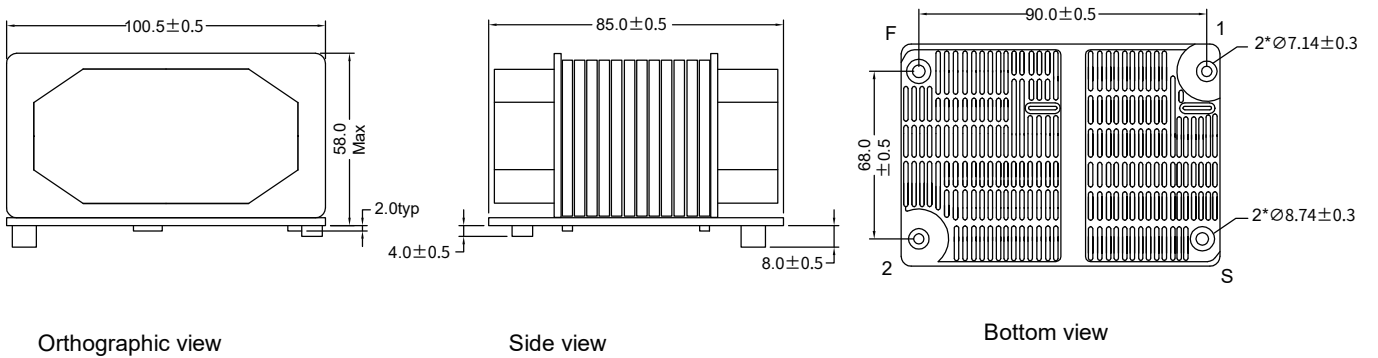
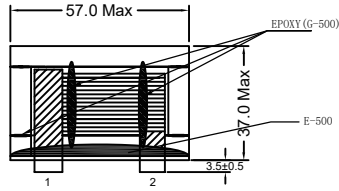


Fig 3(H horizontal continuous winding)

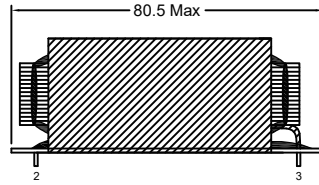


ELECTRICAL INFORMATION

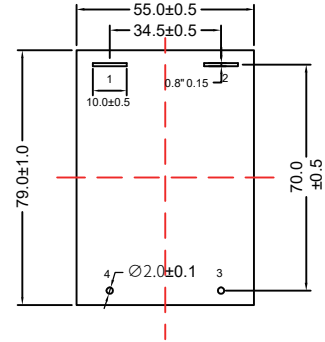
Fig (H horizontal)



Orthographic view

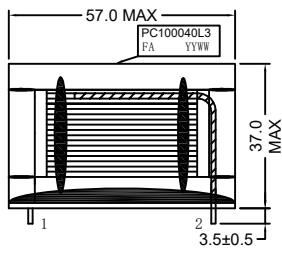


Side view

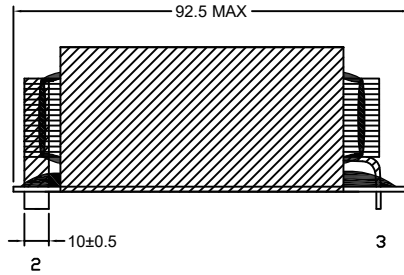


Bottom view

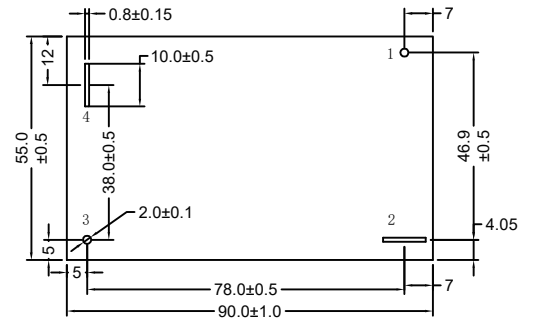
Fig 5(H horizontal)



Orthographic view



Side view



Bottom view