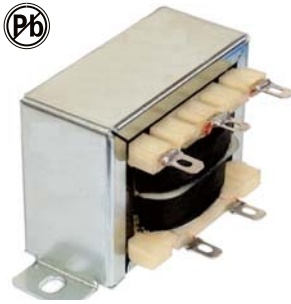


CHASSIS-TRAN POWER TRANSFORMERS

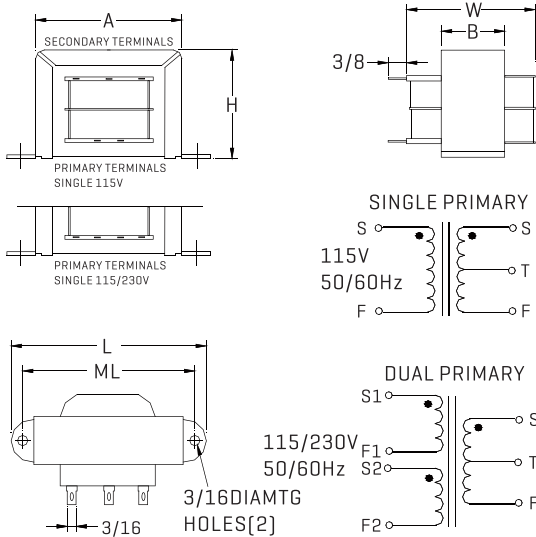


Quick connect or hard wiring ; high isolation.
All parts meet RoHS compliance.

FEATURES

- Channel frame mounting
- High [2500V] isolation ; 2500V RMS HIPOT
- No crossover between primary and secondary winding leads
- Vacuum impregnated
- Available in single or dual primary
- Center tapped secondary offers dual outputs

PHYSICAL CHARACTERISTICS



Size	VA	L	W	H	A	B	ML	Wgt
3	2.4	52.3	26.9	30.0	41.1	14.2	44.4	113g
4	6	60.2	31.7	35.0	42.6	17.3	50.8	199g
5	12	71.4	34.8	41.1	49.0	20.6	60.2	317g
6	30	82.5	42.6	49.0	58.6	26.9	71.3	498g
7	56	93.5	45.9	57.1	68.0	26.9	79.2	771g
8	100	102	57.1	65.0	77.7	33.3	88.9	1247g

ALL DIMENSIONS IN MM

ELECTRICAL CHARACTERISTICS AT 25°C

Part Number	Secondary RMS Rating	
	Single 115V	Dual 115/230V
FACT-3-10	not available	10V C.T. @ 0.25A
FACT-4-10	FADCT-4-10	10V C.T. @ 0.6A
FACT-5-10	FADCT-5-10	10V C.T. @ 1.2A
FACT-6-10	FADCT-6-10	10V C.T. @ 3.0A
FACT-7-10	FADCT-7-10	10V C.T. @ 5.0A
FACT-8-10	FADCT-8-10	10V C.T. @ 10A
FACT-3-12	not available	12.6V C.T. @ 0.2A
FACT-4-12	FADCT-4-12	12.6V C.T. @ 0.5A
FACT-5-12	FADCT-5-12	12.6V C.T. @ 1.0A
FACT-6-12	FADCT-6-12	12.6V C.T. @ 2.5A
FACT-7-12	FADCT-7-12	12.6V C.T. @ 4.0A
FACT-8-12	DCT-8-12	12.6V C.T. @ 8.0A
FACT-3-16	not available	16V C.T. @ 0.15A
FACT-4-16	FADCT-4-16	16V C.T. @ 0.4A
FACT-5-16	FADCT-5-16	16V C.T. @ 0.8A
FACT-6-16	FADCT-6-16	16V C.T. @ 2.0A
FACT-7-16	FADCT-7-16	16V C.T. @ 3.5A
FACT-8-16	DCT-8-16	16V C.T. @ 6.25A
FACT-3-20	not available	20V C.T. @ 0.12A
FACT-4-20	FADCT-4-20	20V C.T. @ 0.3A
FACT-5-20	FADCT-5-20	20V C.T. @ 0.6A
FACT-6-20	FADCT-6-20	20V C.T. @ 1.5A
FACT-7-20	FADCT-7-20	20V C.T. @ 2.8A
FACT-8-20	FADCT-8-20	20V C.T. @ 5.0A
FACT-3-24	not available	24V C.T. @ 0.1A
FACT-4-24	FADCT-4-24	24V C.T. @ 0.25A
FACT-5-24	FADCT-5-24	24V C.T. @ 0.5A
FACT-6-24	FADCT-6-24	24V C.T. @ 1.25A
FACT-7-24	FADCT-7-24	24V C.T. @ 2.4A
FACT-8-24	FADCT-8-24	24V C.T. @ 4.0A
FACT-3-28	not available	28V C.T. @ 0.085A
FACT-4-28	FADCT-4-28	28V C.T. @ 0.2A
FACT-5-28	FADCT-5-28	28V C.T. @ 0.42A
FACT-6-28	FADCT-6-28	28V C.T. @ 1.1A
FACT-7-28	FADCT-7-28	28V C.T. @ 2.0A
FACT-8-28	FADCT-8-28	28V C.T. @ 3.6A
FACT-3-36	not available	36V C.T. @ 0.065A
FACT-4-36	FADCT-4-36	36V C.T. @ 0.17A
FACT-5-36	FADCT-5-36	36V C.T. @ 0.35A
FACT-6-36	FADCT-6-36	36V C.T. @ 0.85A
FACT-7-36	FADCT-7-36	36V C.T. @ 1.5A
FACT-8-36	FADCT-8-36	36V C.T. @ 2.8A
FACT-3-48	not available	48V C.T. @ 0.05A
FACT-4-48	FADCT-4-48	48V C.T. @ 0.125A
FACT-5-48	FADCT-5-48	48V C.T. @ 0.25A
FACT-6-48	FADCT-6-48	48V C.T. @ 0.63A
FACT-7-48	FADCT-7-48	48V C.T. @ 1.2A
FACT-8-48	FADCT-8-48	48V C.T. @ 2.0A
FACT-3-56	not available	56V C.T. @ 0.045A
FACT-4-56	FADCT-4-56	56V C.T. @ 0.11A
FACT-5-56	FADCT-5-56	56V C.T. @ 0.22A
FACT-6-56	FADCT-6-56	56V C.T. @ 0.54A
FACT-7-56	FADCT-7-56	56V C.T. @ 1.0A
FACT-8-56	FADCT-8-56	56V C.T. @ 1.8A
FACT-3-120	not available	120V C.T. @ 0.02A
FACT-4-120	FADCT-4-120	120V C.T. @ 0.05A
FACT-5-120	FADCT-5-120	120V C.T. @ 0.1A
FACT-6-120	FADCT-6-120	120V C.T. @ 0.25A
FACT-7-120	FADCT-7-120	120V C.T. @ 0.5A
FACT-8-120	FADCT-8-120	120V C.T. @ 0.85A