

# SURFACE-MOUNT COMMON MODE CHOKES FACM09-10 SERIES



## FEATURES:

LCP Base  
High Frequency Design  
Excellent Mechanical Strength  
Excellent Solderability  
High Reliability  
Low Profile

## OPTIONS:

Packaging: Tape & Reel is standard (Qty:2000pcs)  
Bulk packaging available for smaller quantities  
Tolerance:10% and 5% is standard tighter tolerances available

## COMMON APPLICATIONS:

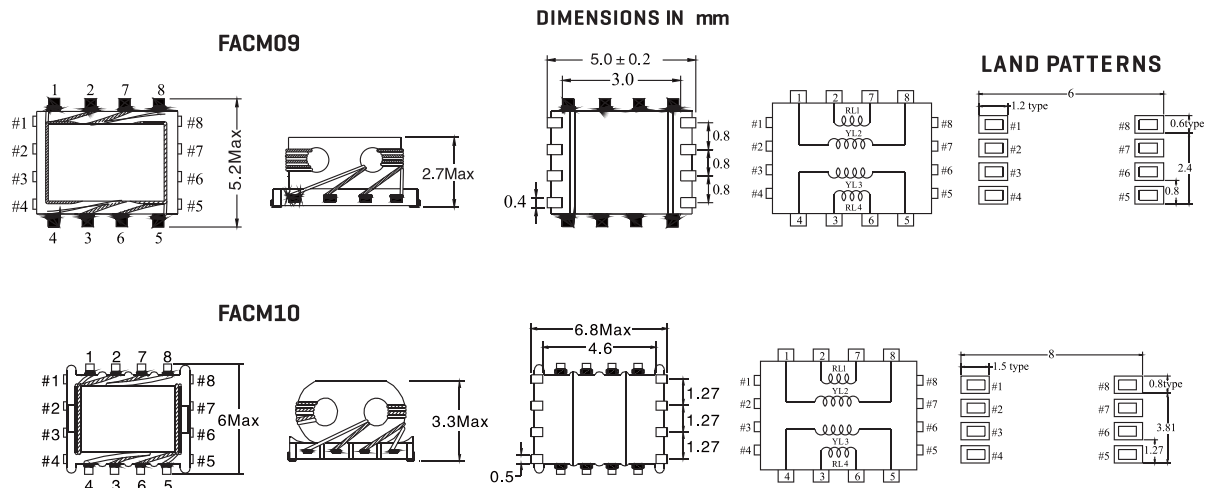
Datalline Noise Suppression  
Video Cameras  
Communication System  
Automotive Systems  
Liquid Crystal Televisions  
Hard Disk Drives  
Network Systems  
Computer Peripheral Equipment

## ELECTRICAL CHARACTERISTICS

Part Number	Insertion Loss[dB]				DCR Ω Max	IDC A Max	Impedance [Typical]		Wistanding Voltage [CH-901]
	50MHz	100MHz	300MHz	500MHz			100MHz	100MHz	
FACM 09- 1394A	2.8±2.0	7.3±2.5	12.0±3.0	14.0±3.0	0.3	0.65	220Ω	100MHz	50VDC
FACM 10- 121	1.3±0.5	4.0±1.5	8.0±2.0	11.0±3.0	0.3	0.65	120Ω	100MHz	100VAC
FACM 10- 151	2.5±1.0	3.0±1.5	4.0±2.0	5.0±3.0	0.3	0.30	150Ω	100MHz	100VAC
FACM 10- 161	3.0±1.0	8.0±2.0	13.0±2.5	15.0±3.0	0.3	0.30	160Ω	100MHz	100VAC
FACM 10- 221	2.0±1.0	6.0±2.0	12.0±2.5	14.0±3.0	0.12	0.65	220Ω	100MHz	100VAC

Note:1. K=±10%,M=±20%,N=±30%

## TECHNICAL INFORMATION & PHYSICAL CHARACTERISTICS



- Inductance Testing: 1KHz 1V HP4284A
- Z test with HP4191A or HP4395A
- RDC:QuadTech 1880 Milliohm meter
- Operating temperature: -40°C to +105°C
- Storage Temperature: -40°C to +105°C
- Resistance to soldering heat:260°C for 10 seconds
- Marking: Part number and date code
- Note:All specifications subject to change without notice.