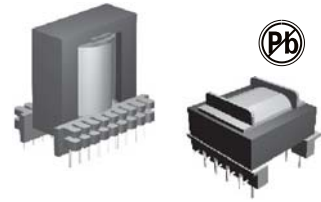


SWITCHING TRANSFORMERS FAER SERIES



FEATURES

Centre section of the core is round easily
design high-powerswitch transformers
Low leakage

OPTIONS

Bulk packaging is standard
Custom design available

COMMON APPLICATIONS

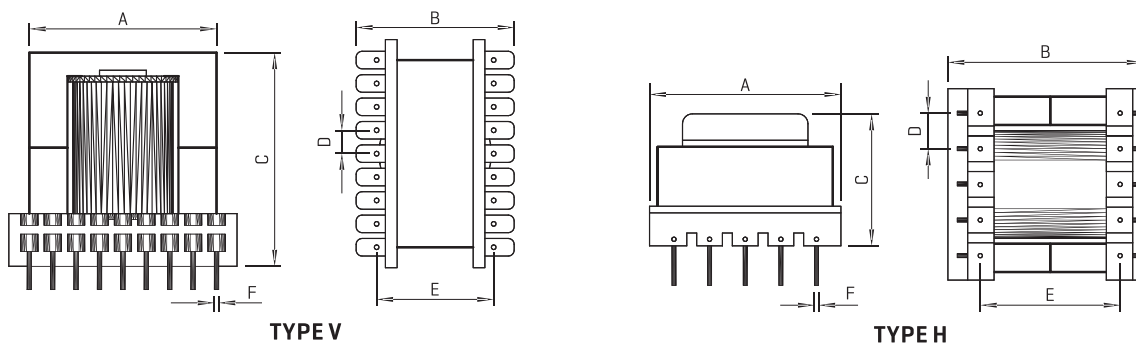
Drive transformers
Main transformers
Smoothing chokes
General purpose use

ELECTRICAL CHARACTERISTICS

Part No.	Type	No. of FAERterminal pin	Dimensions(mm)						Max. output [VA]	Part No.	Type	No. of FAERterminal pin	Dimensions(mm)						Max. output [VA]
			Max A	Max B	Max C	±0.3 D	±0.5 E	±0.1 F					Max A	Max B	Max C	±0.3 D	±0.5 E	±0.1 F	
FAER 11.5-A	V	8	14	14	12	2.6	9.0	0.6	3	FAER 35-D	H	16	41	45	29	5.0	35.0	1.0	325
FAER 25-A	V	8	27	22	28	5.0	12.5	0.8	87	FAER 35-E	H	12	38	45	27	5.3	37.1	1.0	325
FAER 25-B	V	10	27	22	28	5.0	15.0	0.8	87	FAER 35-F	H	12	45	37	30	5.4	37.1	1.0	325
FAER 28-A	H	20	35	32	25	2.54	28.0	0.5	203	FAER 39-A	V	16	44	32	53	5.0	25.0	1.0	370
FAER 25-B	H	12	31	32	25	5.0	25.0	0.8	203	FAER 39-B	V	14	40	32	54	5.0	25.2	1.0	370
FAER 28-C	V	10	27	25	32	5.0	17.3	0.8	203	FAER 39-C	V	18	45	32	53	5.0	25.0	1.0	370
FAER 28-D	V	12	32	28	32	4.9	22.0	0.6	203	FAER 39-D	H	16	43	45	35	5.0	30.6	1.0	370
FAERL 28-A	V	10	32	25	36	5.0	17.5	0.8	228	FAER 39-E	H	16	43	47	35	5.0	35.3	1.0	370
FAERL 28-B	V	12	32	25	38	5.0	17.5	0.8	228	FAER 40-A	V	16	42	33	51	5.0	25.2	1.0	421
FAERL 28-C	V	12	32	25	36	5.0	20.2	0.8	228	FAER 40-B	V	16	42	34	52	5.0	27.5	1.0	421
FAERL 28-D	V	18	30	25	38	4.0	20.0	0.8	228	FAER 40-C	V	12	42	33	48	5.0	25.0	1.0	421
FAERL 28-E	V	10	30	25	38	5.0	17.5	0.8	228	FAER 40-D	H	16	42	50	37	5.0	35.2	1.0	421
FAERL 28-F	V	14	32	28	38	5.0	20.0	0.8	228	FAER 42-A	V	18	47	33	47	5.0	27.4	1.0	433
FAERL 28-G	H	11	36	38	26	5.0	25.5	0.8	228	FAER 42-B	V	14	44	32	49	5.0	24.8	1.0	433
FAERL 28-H	H	12	32	38	28	5.0	30.4	0.8	228	FAER 42-C	V	18	47	39	52	5.0	30.2	1.0	509
FAER 33-A	V	14	37	31	40	5.0	25.0	1.0	235	FAER 42-D	H	14	45	45	36	5.0	34.8	1.0	509
FAER 33-B	V	14	37	29	40	5.0	22.5	1.0	235	FAER 49-A	V	22	55	37	62	5.0	27.5	1.0	680
FAER 34-A	V	14	36	29	40	5.0	22.3	1.0	240	FAER 49-B	V	18	52	38	57	5.0	27.5	1.0	680
FAER 35-A	V	12	38	30	46	5.0	22.5	1.0	325	FAER 49-C	V	20	55	41	60	5.0	32.5	1.0	680
FAER 35-B	V	14	37	30	44	5.0	22.5	1.0	325	FAER 53-A	V	18	55	41	55	5.0	32.5	1.0	800
FAER 35-C	V	16	41	30	46	5.0	22.55	1.0	325	FAER 54-B	V	18	60	42	60	5.0	32.0	1.0	850

Note: The output power is only for forward model and the frequency at 100kHz

PHYSICAL CHARACTERISTICS



ALL DIMENSIONS IN MM