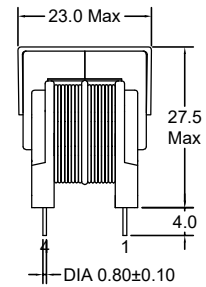


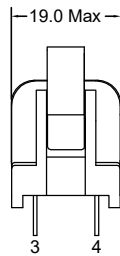
P/N: FAPL16V-352Y2R1



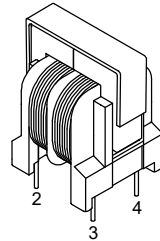
Outline Dimensions (Unit:mm)



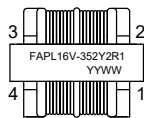
Orthographic view



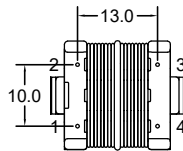
Side view



Stereogram



Top view

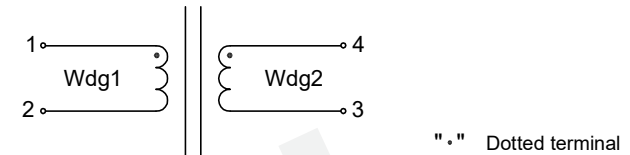


Bottom view

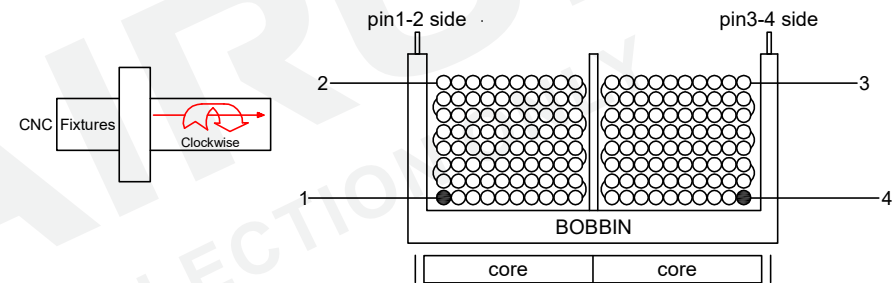
REMARK:

1. Product vacuum impregnation.

Electronical Schematic



Winding Construction:



Electrical Characteristics

Inductance : L1-2=4-3= 3.5mH Min,at 10KHz,0.1V.

Rated current : 2100mA.

D.C.Resistance : 1-2= 0.120 ohms Max.

4-3= 0.120 ohms Max.

Turns Ratio : Wdg1:Wdg2=1:1±1%,at 20KHz,1V.

Hipot : Coil-Coil : 1500VAC/3mA/2S.

List of UL Certificate:

No.	Part Name	Mat'l Description	Supplier	UL Number
1	Bobbin	UU-1601/T375J	Chang Chun Plastics Co Ltd	E59481
2	Copper wire	2UEW-F/155C	Dong Guan YiDa Industrial Co Ltd	E344055
		2UEW-F/155C	Elektrisola Hangzhou Co Ltd	E258243
3	Core	UU16 TS10	TDG Holding Co Ltd	N/A
		UU16 GH10	Su Zhou Guanda Magnet Co Ltd	N/A
4	Clip	UU16/SUS301	Chuangshun Hardware Electronic Factory	N/A
5	Varnish	T-4260(a)/MW80-C	SuZhou TaiHu Electric Advanced Material Co Ltd	E228349

Tianchang Fuan Electronic Co Ltd  
www.fuantronics.net  
TEL: +86-550-7814888  
FAX: +86-550-7831133



Tolerances unless otherwise specified:  
(.X)±0.50 (XX)±0.25  
Unit of measurement: mm

Make: Qiumei.Liu  
Checked: Beson. zhan  
Approved: Anson. zhan

**DRAWING TITLE**  
UU16V COMMON-CODE  
FILTER INDUCTOR  
Material Number: A24PL16XS100

Customer P/N:  
Document/Rev: 00  
Specification Sheet: 1 of 2  
Date of Recognition: Mar./13/2020

REV	DESCRIPTION	APPD	DATE

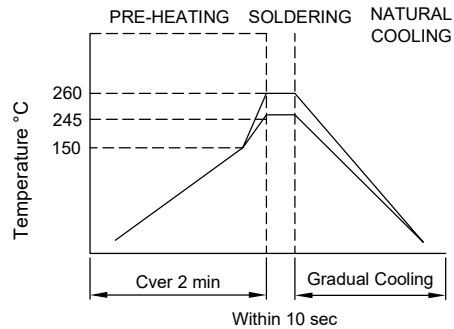
P/N: FAPL16V-352Y2R1



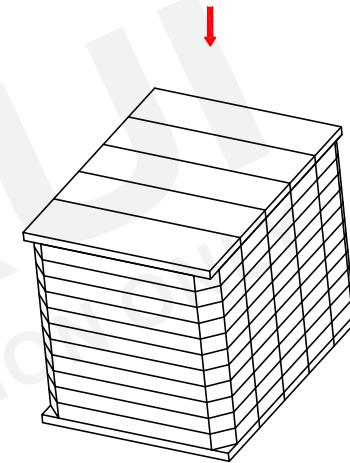
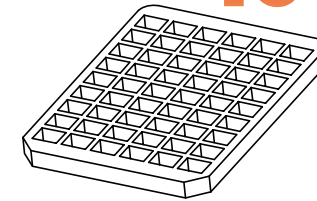
**General Properties:**

Operating Temperature: -40°C to +125°C  
(Temperature rise included).  
Storage Temperature: -25°C to +85°C.  
Storage Humidity: RH10%~70%.  
Weight: ~20.0g.

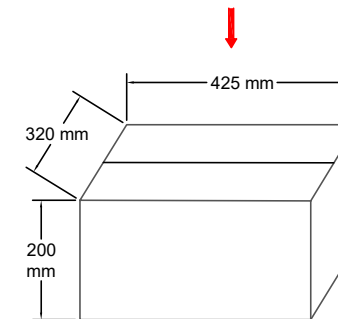
**Wave Soldering**



**Note:**  
1. Never Contact the ceramic with the iron tip;  
2. 1.0mm tip diameter(max).



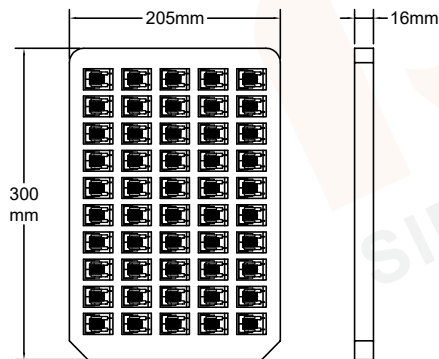
Quantity: 550pcs/Reel



Outer cases: 1100pcs/box  
Insufficient boxes filled with inner boxes or fillers

**Packaging Specification:**

Blister tray:



- 1. 50 products are placed on one blister disc, 11 blister discs are fixed together, and a cardboard is placed at the top and bottom respectively.
- 2. 22 plastic suction cups (1100 pcs) in one box.
- 3. Blister tray: UU16.  
Carboard: 295\*200\*3mm.  
Carton: 425\*320\*200mm.

				Tianchang Fuan Electronic Co Ltd www.fuantronics.net TEL: +86-550-7814888 FAX: +86-550-7831133	 Tolerances unless otherwise specified: (.X)±0.50 (XX)±0.25 Unit of measurement: mm	Make: Qiumei.Liu Checked: Beson. zhan Approved: Anson. zhan	<b>DRAWING TITLE</b> UU16V COMMON-CODE FILTER INDUCTOR Material Number: A24PL16XS100	Customer P/N: Document/Rev: 00 Specification Sheet: 2 of 2 Date of Recognition: Mar./13/2020
REV	DESCRIPTION	APPD	DATE					