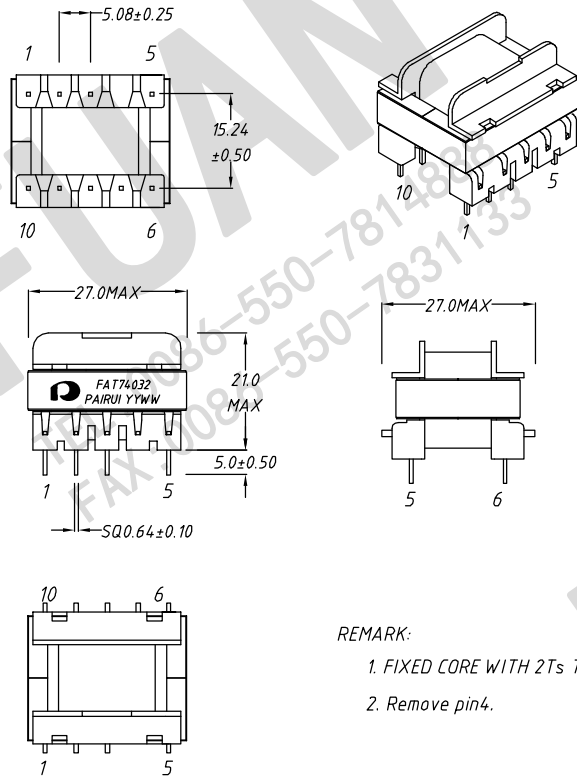
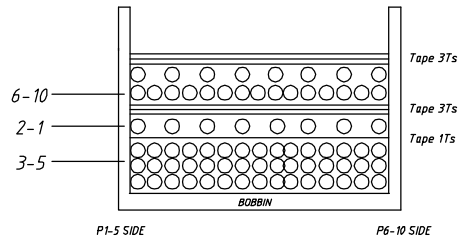


Mechanical Dimensions : (mm)



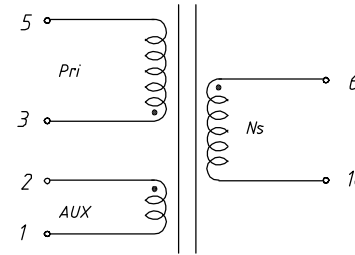
REMARK:  
 1. FIXED CORE WITH 2Ts TAPE.  
 2. Remove pin4.

Winding Construction:



Note : Temp 20°C 48% RH. RoHS compliant.

Coil structure and schematic



Electrical Character:

- Inductance: L3-5=1100uH ±10% AT 1KHz 0.3V.
- D.C. Resistance:
  - R1-2=0.08Ω MAX
  - R3-5=0.50Ω MAX
  - R6-10=0.12Ω MAX
- hipot: P-S:4000VAC/3mA/2min
- Turns Ratio:
  - (3-5):(1-2)=7.2:1 ±2%
  - (3-5):(6-10)=4.0:1 ±2%
- CORE: FUAN EE25- P3
- WIRE: UEW-B/130C, TEX-E
- Varnish: TXH-2032.
- Operating Temperature range: -40°C to +85°C.

TEL: +86-550-7814888 Fax: +86-550-7831133 www.fuantronics.net	Model: EE25 Transformer	Customer P/N:	
	PAIRUI P/N: FAT74.032	DOCUMENT NO. /Rev.: 0910021/02	
Unless Otherwise Specified TOLERANCES: .X : ±0.50 .XX : ±0.25 Dimensions in mm	DWN .	Benson.zhan	DATE: Apr./14/2010
	CHK .	Anson zhan	
	APP .	Louis Lin	

PROPRIETARY Document is the property of FUAN Inc & is not allow to be duplicated without authorization