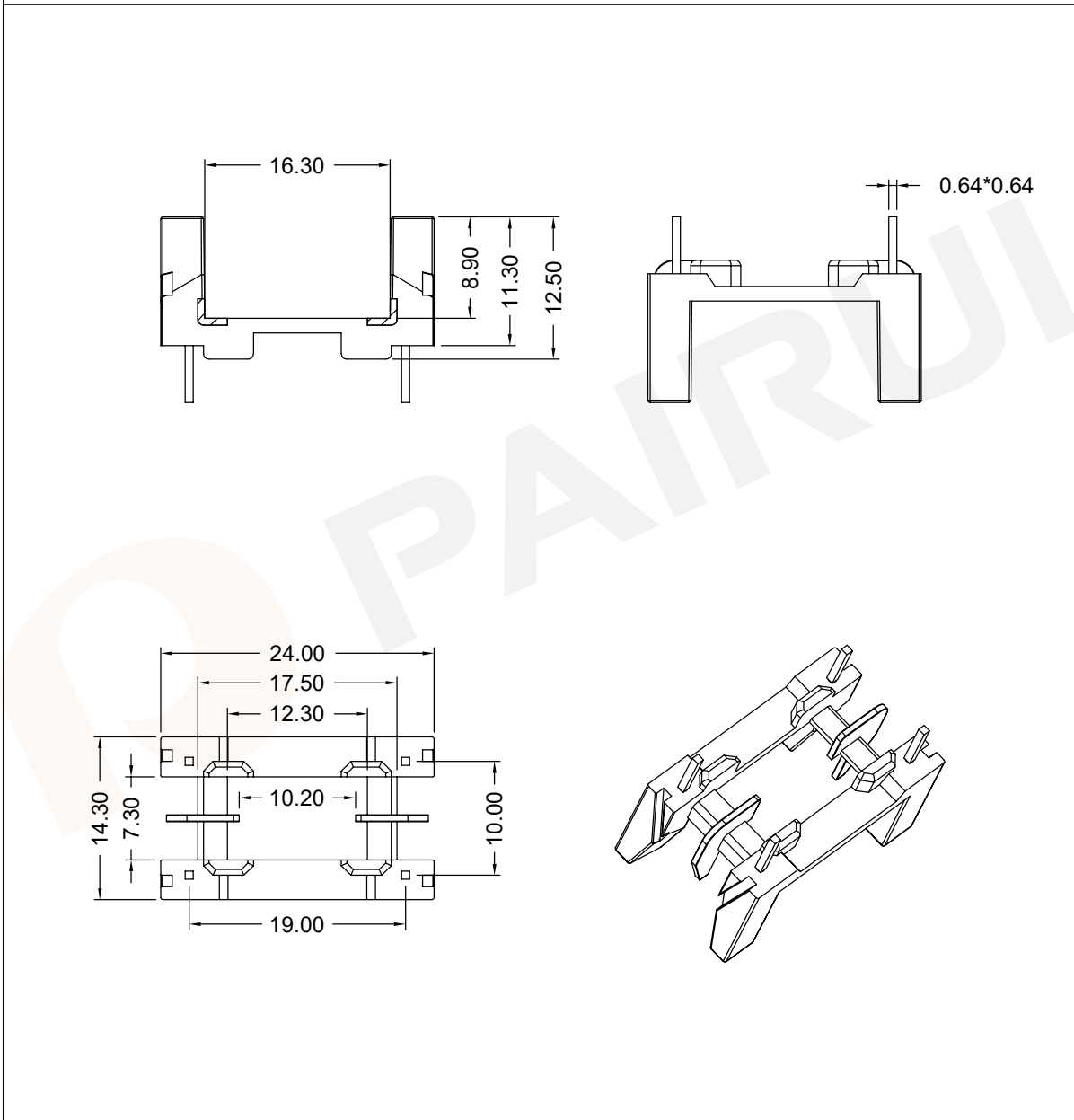


General data 4-pins FK16 series base

PARAMETER	SPECIFICATION
Base material	polyamid (PA66), glass reinforced, flame retardant in accordance with "UL 94HB"; UL file number E41938
Pin material	copper-tin alloy (CuSn), tin (Sn) plated
Maximum operating temperature	130°C, "IEC 60085", class B
Resistance to soldering heat	"IEC 60068-2-20", Part 2, Test Tb, method 1B, 350 °C, 3.5 s
Soldeerability	"IEC 60068-2-20", Part 2, Test Ta, method 1



Tolerances unless otherwise specified: 0<L≤4±0.10 4<L≤16±0.20 16<L≤45±0.30 45≤L±0.40 Pin Dim:±0.05 Thickness:±0.20 Pin Pitch:±0.20	Dimensions: (mm)	TYPE NUMBER: FK-1601-2S-4P		
		Mould No.: FK1601	Bobbin material: PA66	
		Code No.: FAY01091	Available for Fuan core: FK16	
Fuan Electronics TEL :0086-514-87693589 EML :sales@fuantronics.net WEB:www.fuantronics.net		Make: P.Xiao	Material Number: A4B160100100	
		Checked: Beson. zhan	Document/Rev: 00	
		Approved: Anson. zhan	Date of Recognition: Oct./17/2019	