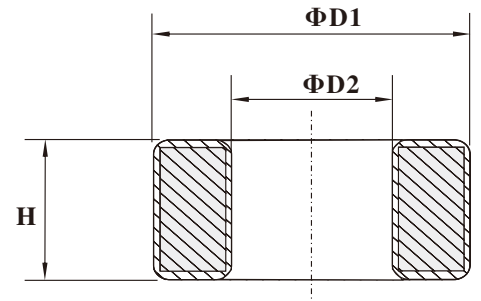
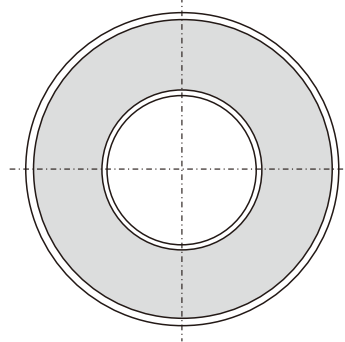


**P3**      **T16\*8\*8**      **C/P**  
**Material**    **Core Size**    **Coating**  
 材质          品名          涂装

C=Epoxy. P=Parylene.

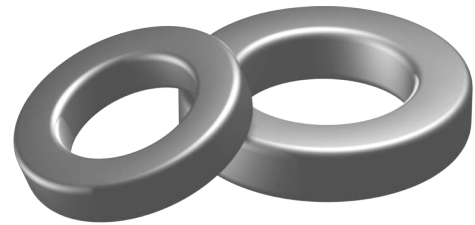
**Dimensions: (UNIT:mm)**

Dimensions(mm)			
Epoxy Coating Dimensions(mm)			
ΦD1	ΦD2	H	Wt(g/set)
16.0±0.40	8.00±0.30	8.00±0.30	4.85
16.90max	7.10 min	8.90 max	



**Test Conditions**

AL: F=10.0KHz U=0.3V N=10Ts



**Effective parameter**

	Ve(mm3)	Ae(mm2)	Le(mm)
	1158	32.0	36.2

**Coating**

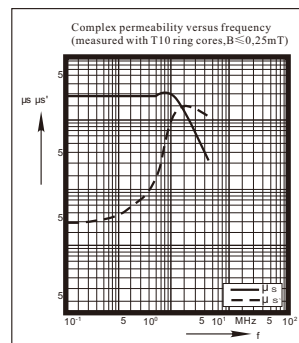
The core are coated with epoxy, flame retardant in accordance with "UL 94V-0" file number E228348. The colour is green.

**Ring core data**

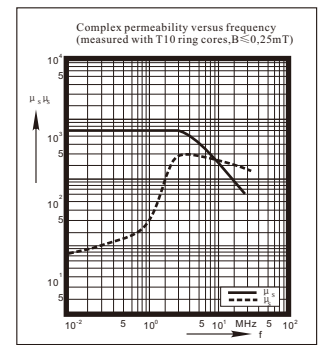
GRADE	AL(nH)	μi	TYPE NUMBER
P3	2700±25%	≈2300	T16/8/8/P3
H5K	5500±25%	≈5000	T16/8/8/H5K
H7K	7750±25%	≈7000	T16/8/8/H7K
H10K	11100±30%	≈10000	T16/8/8/H10K

**Note:**

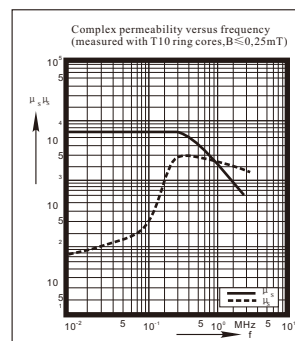
- 1: Document is the property of FUAN Inc & is not allowed to be duplicated without authorization
- 2: RoHS compliant.



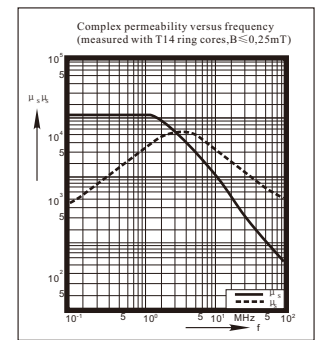
P3



H5K



H7K



H10K