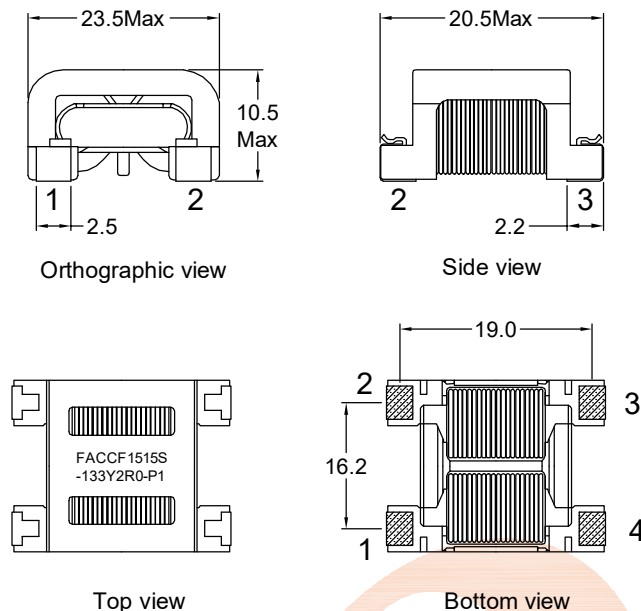
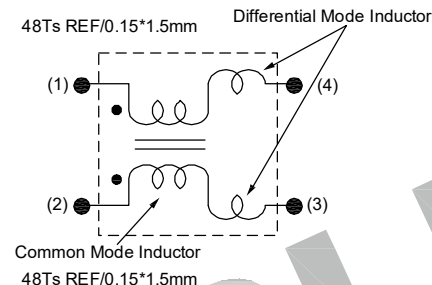


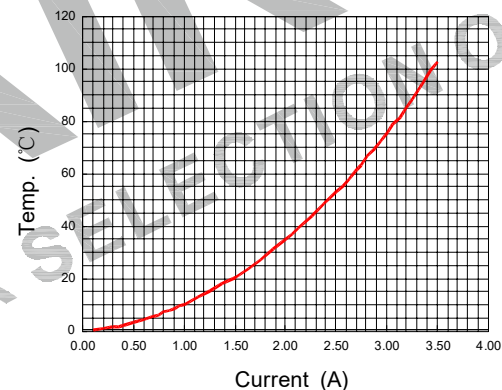
### Outline Dimensions(Unit:mm)



### Electronical Schematic



### Simulation test curve:



### Electrical Characteristics(at 25°C)


Inductance : 13.0mH Min,at 1KHz,0.25V.  
 Lstray: Lkg=95uH typ,at 1KHz,0.25V.  
 Inductance balance : L1-L2= 300uH Max,at 1KHz,0.25V.  
 D.C.Resistance: 120 mohms Max.  
 Rated current: 2.0Amps.  
 Turns Ratio : 1:1±2%,at 20KHz,1V.  
 Hipot : Pri-Sec : 1500VAC/5mA/2Second.

### List of UL Certificate:

Part Name	Mat'l Description	Supplier	UL Number
Bobbin	SQ1515/T375HF	Chang Chun Plastics Co Ltd	E59481
Copper wire	SFT-UEW-H	Ningbo Jintian New Material Co Ltd	E227047
Core	SQ1515-H12K	Su Zhou Tian Ming Magnetic	N/A
Epoxy	YZ-HC-1401C	YouZhi Electronic(DongGuan)Co.,Ltd	N/A
or Varnish	T4260LZ	Suzhou Taihu Electric Advanced Material Co., Ltd	E228349

\*\*\*Weight:Approx 11.3g.

Tianchang Fuan Electronic Co Ltd  
 www.fuantronics.net  
 TEL: +86-550-7814888  
 FAX: +86-550-7831133



Tolerances unless otherwise specified:  
 (.X)±0.50    (.XX)±0.25  
 Unit of measurement: mm

Make: Yuing.yu  
 Checked: Beson. zhan  
 Approved: Anson. zhan

**DRAWING TITLE**  
 CCF1515S Current-compensated  
 frame core double chokes  
 Material Number:

Customer P/N:  
 Document/Rev: 2207239/00  
 Specification Sheet: 1 of 1  
 Date of Recognition: July./16/2022

REV	DESCRIPTION	APPD	DATE