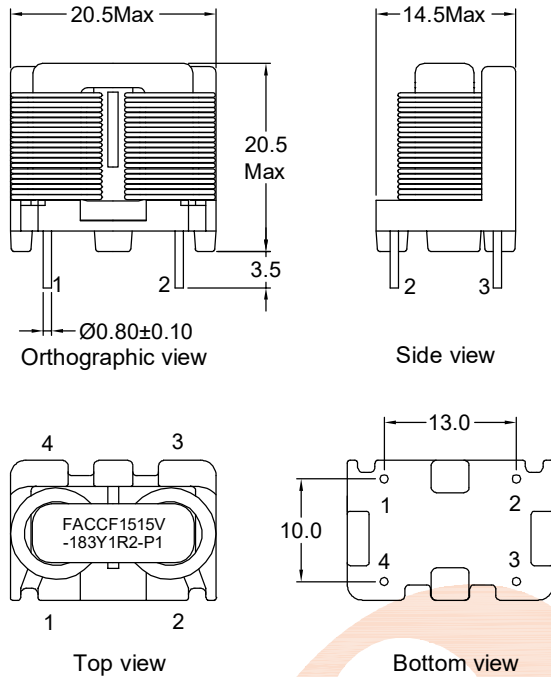
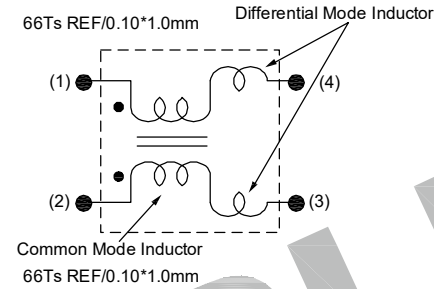


P/N: FACCF1515V-183Y1R2-P1

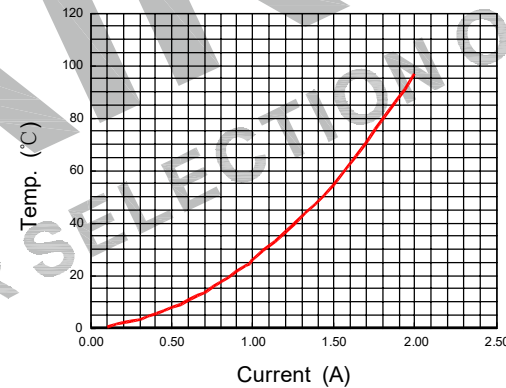
Outline Dimensions(Unit:mm)



Electronical Schematic



Simulation test curve:



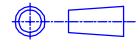
Electrical Characteristics(at 25°C)

Inductance : 18.0mH Min,at 1KHz,0.25V.  
 Lstray: Lkg=175uH typ,at 1KHz,0.25V.  
 Inductance balance : L1-L2= 300uH Max,at 1KHz,0.25V.  
 D.C.Resistance: 340 mohms Max.  
 Rated current: 1.2Amps.  
 Turns Ratio : 1:1±2%,at 20KHz,1V.  
 Hipot : Pri-Sec : 1500VAC/5mA/2Second.

List of UL Certificate:

Part Name	Mat'l Description	Supplier	UL Number
Bobbin	SQ1515/T375HF	Chang Chun Plastics Co Ltd	E59481
Copper wire	SFT-UJEW-H	Ningbo Jintian New Material Co Ltd	E227047
Core	SQ1515-H10K	Su Zhou Tian Ming Magnetic	N/A
Epoxy	YZ-HC-1401C	YouZhi Electronic(DongGuan)Co.,Ltd	N/A
or Varnish	T4260LZ	Suzhou Taihu Electric Advanced Material Co., Ltd	E228349

\*\*\*Weight:Approx 11.3g.

				Tianchang Fuan Electronic Co Ltd www.fuantronics.net TEL: +86-550-7814888 FAX: +86-550-7831133		 Tolerances unless otherwise specified: (X)±0.50 (XX)±0.25 Unit of measurement: mm		Make: Yuing.yu Checked: Beson. zhan Approved: Anson. zhan		<b>DRAWING TITLE</b> CCF1515V Current-compensated frame core double chokes Material Number:		Customer P/N: Document/Rev: 2207105/00 Specification Sheet: 1 of 1 Date of Recognition: July./14/2022	
REV	DESCRIPTION	APPD	DATE										