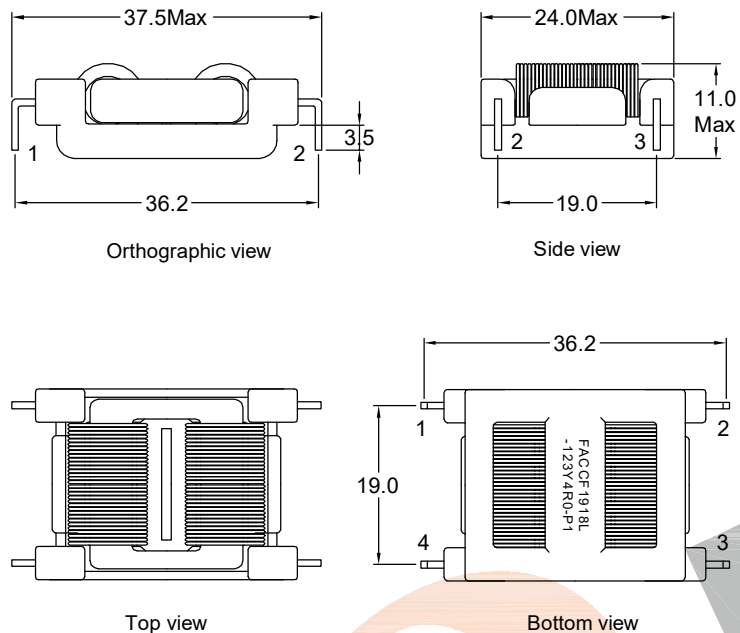


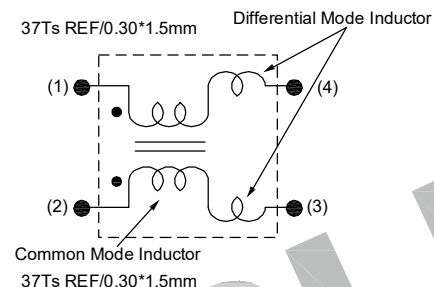
P/N: FACCF1918L-123Y4R0-P1

RoHS

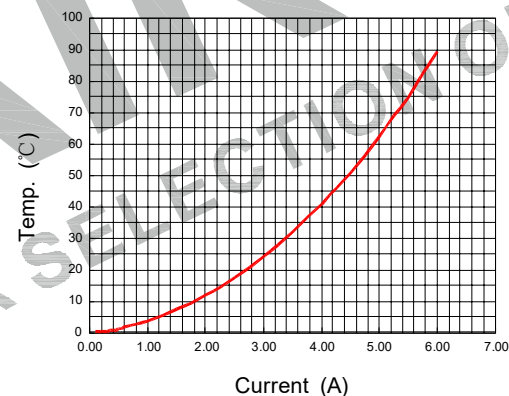
Outline Dimensions(Unit:mm)



Electronical Schematic



Simulation test curve:



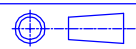
Electrical Characteristics(at 25°C)

Inductance : 12.0mH Min,at 1KHz,0.25V.
 Lstray: Lkg=65uH typ,at 1KHz,0.25V.
 Inductance balance : L1-L2= 200uH Max,at 1KHz,0.25V.
 D.C.Resistance: 50 mohms Max.
 Rated current: 4.0Amps.
 Turns Ratio : 1:1±2%,at 20KHz,1V.
 Hipot : Pri-Sec : 1500VAC/5mA/2Second.

List of UL Certificate:

| Part Name | Mat'l Description | Supplier | UL Number |
|---------------------|-------------------|--------------------------------------------------|-----------|
| Bobbin | SQ1918/T375HF | Chang Chun Plastics Co Ltd | E59481 |
| Copper wire | SFT-UEW-H | Ningbo Jintian New Material Co Ltd | E227047 |
| Core | SQ1918-H15K | Su Zhou Tian Ming Magnetic | N/A |
| Epoxy or Varnish | YZ-HC-1401C | YouZhi Electronic(DongGuan)Co.,Ltd | N/A |
| | T4260LZ | Suzhou Taihu Electric Advanced Material Co., Ltd | E228349 |

***Weight:Approx 16.0g.

| | | | | | | | | | | | | | |
|-----|-------------|------|------|---------------------------------------------------------------------------------------------------------|--|----------------------------------------------------------------------------------------------------------------------------------------------------------------------------------|--|-----------------------------------------------------------------|--|------------------------------------------------------------------------------------------------------|--|---------------------------------------------------------------------------------------------------------------|--|
| | | | | Tianchang Fuan Electronic Co Ltd www.fuantronics.net TEL: +86-550-7814888 FAX: +86-550-7831133 | |  Tolerances unless otherwise specified: (X)±0.50 (XX)±0.25 Unit of measurement: mm | | Make: Yuing.yu Checked: Beson. zhan Approved: Anson. zhan | | DRAWING TITLE CCF1918L Current-compensated frame core double chokes Material Number: | | Customer P/N: Document/Rev: 2209102/00 Specification Sheet: 1 of 1 Date of Recognition: Sep./22/2022 | |
| REV | DESCRIPTION | APPD | DATE | | | | | | | | | | |