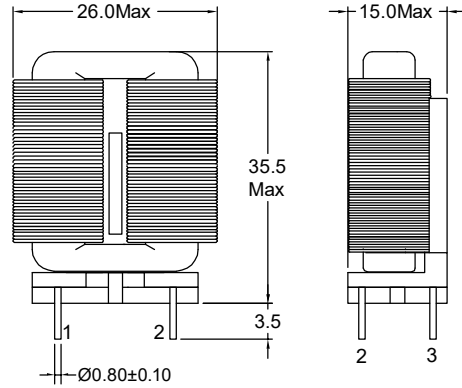


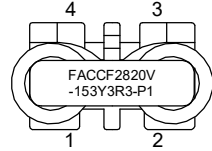
P/N: FACCF2820V-153Y3R3-P1

Outline Dimensions(Unit:mm)

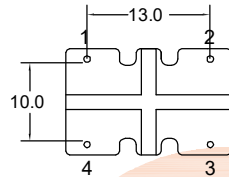


Orthographic view

Side view

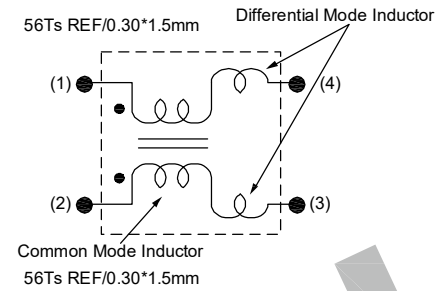


Top view

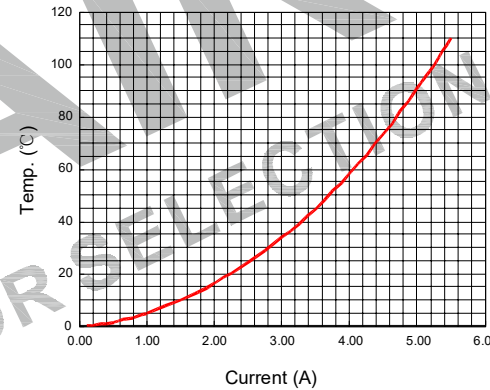


Bottom view

Electronical Schematic



Simulation test curve:



Electrical Characteristics(at 25°C)


Inductance : 15.0mH Min,at 1KHz,0.25V.  
 Lstray: Lkg=168uH typ,at 1KHz,0.25V.  
 Inductance balance : L1-L2= 400uH Max,at 1KHz,0.25V.  
 D.C.Resistance: 100 mohms Max.  
 Rated current: 3.3Amps.  
 Turns Ratio : 1:1±0Ts,at 20KHz,1V.  
 Hipot : Pri-Sec : 1500VAC/5mA/2Second.

List of UL Certificate:

Part Name	Mat'l Description	Supplier	UL Number
Bobbin	SQ2820/T375HF	Chang Chun Plastics Co Ltd	E59481
Copper wire	SFT-UJEW-H	Ningbo Jintian New Material Co Ltd	E227047
Core	SQ2820-H12K	Shangdong HenRui Magnet Technology Co.,Ltd	N/A
Epoxy or Varnish	YZ-HC-1401C	YouZhi Electronic(DongGuan)Co.,Ltd	N/A
	T4260LZ	Suzhou Taihu Electric Advanced Material Co., Ltd	E228349

\*\*\*Weight:Approx 31.0g.

Tianchang Fuan Electronic Co Ltd  
 www.fuantronics.net  
 TEL: +86-550-7814888  
 FAX: +86-550-7831133



Tolerances unless otherwise specified:  
 (.X)±0.50 (.XX)±0.25  
 Unit of measurement: mm

Make: *Jinle*  
 Checked: *BenSon*  
 Approved: *AnSan*

**DRAWING TITLE**  
 CCF2820V Current-compensated  
 frame core double chokes

Material Number:

Customer P/N:  
 Document/Rev: 2207363/00  
 Specification Sheet: 1 of 1  
 Date of Recognition: July./20/2022

REV	DESCRIPTION	APPD	DATE