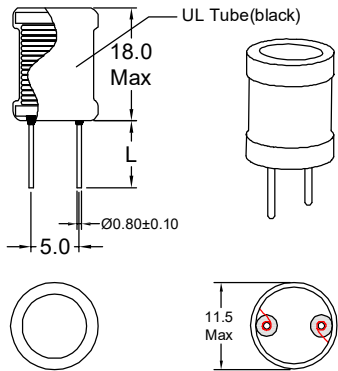


P/N: FALCHB1016-101K2R5-□

Outline Dimensions(Unit:mm)



Pins Length(L):

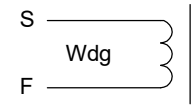
| | |
|-----|----------|
| -5 | 5.00±1.0 |
| -10 | 10.0±2.0 |
| -15 | 15.0±3.0 |

FALCHB1016-101K2R5-5
FALCHB1016-101K2R5-10
FALCHB1016-101K2R5-15

REMARK:

1. Products need thermal shrinkable sleeve.

Electronical Schematic



Electrical Characteristics(@25°C)

| Inductance 1KHz,0.3V | Lldc 1KHz,0.3V | Temp. 40°C | DC Resistor | Rated Current |
|-------------------------|-------------------|---------------|-------------|---------------|
| 100uH±10% | >80%*LOA | 2200mA | 125 mΩ Max | 2500mA |

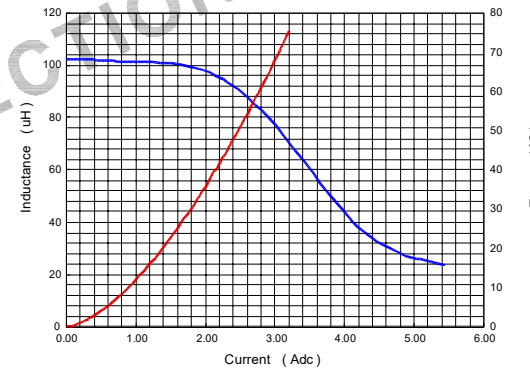
- ***Operating Temperature: -40°C~+125°C.
(Temperature rise included)
- ***Storage Temperature : -40°C~+125°C.
- ***Storage Humidity:RH10%~70%.

Recommended Soldering Temperature Graph.



| | Standard Profile | Standard Profile |
|------------------|---------------------|---------------------|
| Pre-heating | 150~180°C,90s±30s | |
| Heating | above 220°C,30s-60s | above 240°C,30s Max |
| Peak temperature | 245°C±3°C | 260°C,10s |
| Cycle of reflow | 2 times | 2 times |

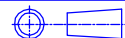
Simulation test curve:



Material list

| Part Name | SPEC | Supplier | UL Number |
|-----------|------------------------------|---|-----------|
| Core | DR2W10*16(B=6)-MgZn | LiCheng Electronic(ZhangZhou) Co.,Ltd | N/A |
| Wire | 2UEW-F/155°C | ShangDong Saint Electric Co.,Ltd | E194410 |
| Tube | Heat shrinkable casing/125°C | Changyuan Electronics (Shenzhen) Co Ltd | E180908 |

Tianchang Fuan Electronic Co Ltd
www.fuantronics.net
TEL: +86-550-7814888
FAX:+86-550-7831133



Tolerances unless otherwise specified:
(.X)±0.50 (.XX)±0.25
Unit of measurement: mm

Drawn: *June*
Checked: *Benson*
Approved: *Am Son*

DRAWING TITLE
DR2W10*16 RADIAL FILTER CHOKE
Material Number:

Customer Name:
Document/Rev: 2110044/00
Specification Sheet: 1 of 1
Date of Recognition: Oct./16/2021

| REV | DESCRIPTION | APPD | DATE |
|-----|-------------|------|------|
| | | | |