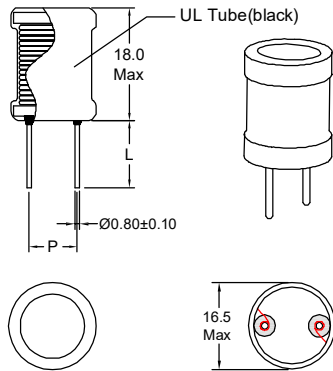


P/N: FALCHB1415-153K0R3-□

Outline Dimensions(Unit:mm)



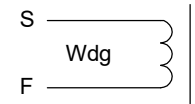
Pins Length(L):

-5	5.00±1.0
-10	10.0±2.0
-15	15.0±3.0
P1	7.5±0.50
P2	10.0±0.50

FALCHB1415-153K0R3-5P1(-5P2)
 FALCHB1415-153K0R3-10P1(-10P2)
 FALCHB1415-153K0R3-15P1(-15P2)

REMARK:
 1. Products need thermal shrinkable sleeve.

Electrical Schematic

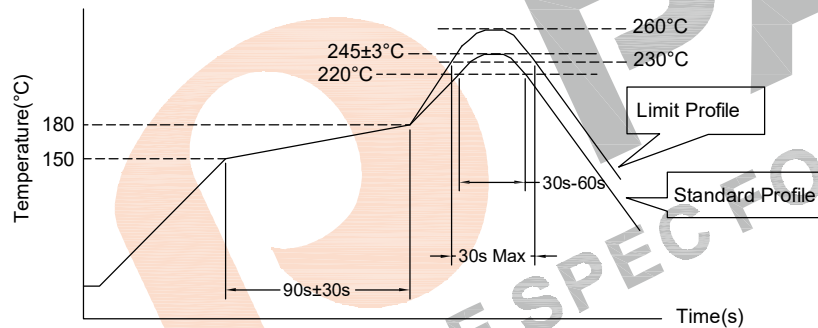


Electrical Characteristics(@25°C)

Inductance 1KHz,0.3V	Lldc 1KHz,0.3V	Temp. 40°C	DC Resistor	Rated Current
15mH±10%	>90%*LOA	300mA	11.0 Ω Max	300mA

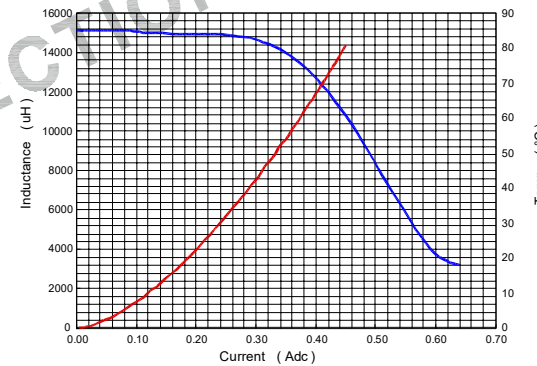
***Operating Temperature: -40°C~+125°C.
 (Temperature rise included)
 ***Storage Temperature : -40°C~+125°C.
 ***Storage Humidity:RH10%~70%.

Recommended Soldering Temperature Graph.



	Standard Profile	Standard Profile
Pre-heating	150~180°C,90s±30s	
Heating	above 220°C,30s-60s	above 240°C,30s Max
Peak temperature	245°C±3°C	260°C,10s
Cycle of reflow	2 times	2 times

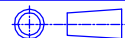
Simulation test curve:



Material list

Part Name	SPEC	Supplier	UL Number
Core	DR2W14*15(B=8)-MgZn	LiCheng Electronic(ZhangZhou) Co.,Ltd	N/A
Wire	2UEW-F/155°C	ShangDong Saint Electric Co.,Ltd	E194410
Tube	Heat shrinkable casing/125°C	Changyuan Electronics (Shenzhen) Co Ltd	E180908

Tianchang Fuan Electronic Co Ltd
 www.fuantronics.net
 TEL: +86-550-7814888
 FAX:+86-550-7831133



Tolerances unless otherwise specified:
 (.X)±0.50 (.XX)±0.25
 Unit of measurement: mm

Drawn: *June*
 Checked: *Benson*
 Approved: *AmSon*

DRAWING TITLE
 DR2W14*15 RADIAL FILTER CHOKE
 Material Number:

Customer Name:
 Document/Rev: 2210176/00
 Specification Sheet: 1 of 1
 Date of Recognition: Oct./13/2022

REV	DESCRIPTION	APPD	DATE