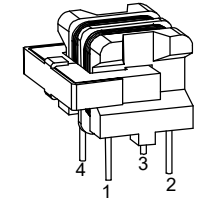
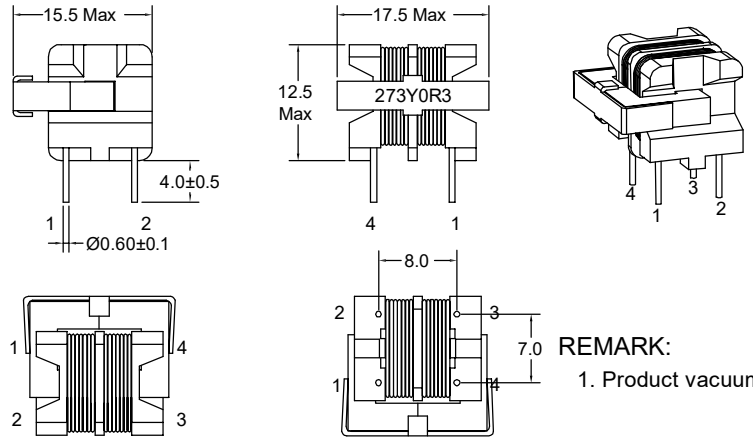


P/N: FAPL09H-273Y0R3

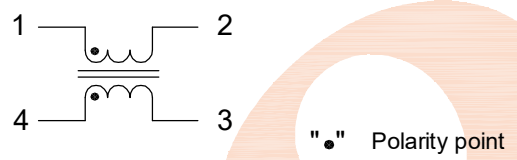
ROHS

Outline Dimensions (Unit:mm)

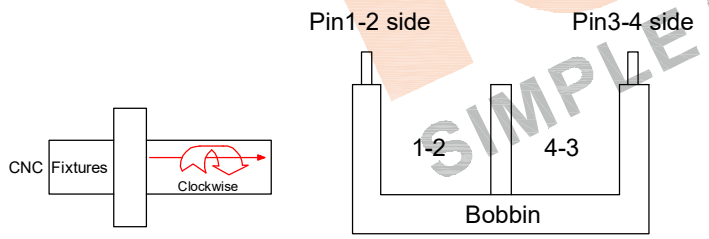


REMARK:  
1. Product vacuum impregnation.

Electrical Schematic



Winding Construction:



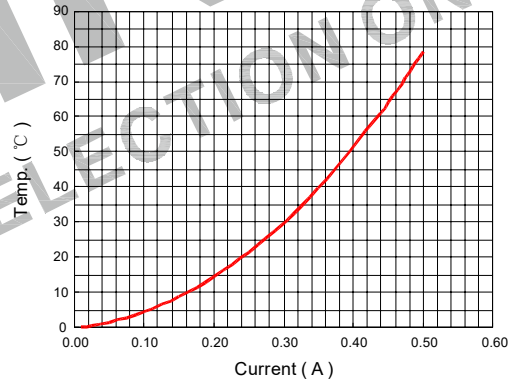
Electrical Characteristics

Inductance : 27.0mH Min,at 10KHz,0.1V.  
 Rated current : 0.30Amps.  
 D.C.Resistance : 2.50 ohms Max.  
 Turns Ratio : Wdg1:Wdg2=1:1±1%,at 20KHz,1V.  
 Hipot : Coil-Coil : 1500VAC/3mA/2S.

General Properties:

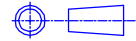
Operating Temperature:-40°C to +125°C  
 (Temperature rise included).  
 Storage Temperature:-25°C to +85°C.  
 Storage Humidity:RH10%~70%.  
 Weight: ≈4.2g

Current VS Temp.(Simulation test)



List of UL Certificate:

No.	Part Name	Mat'l Description	Supplier	UL Number
1	Bobbin	UU-0901/T375J	Chang Chun Plastics Co Ltd	E59481
2	Copper wire	2UEW-F/155C	Dong Guan YiDa Industrial Co Ltd	E344055
3	Core	UU9.8-H10K	Fuan	N/A
4	Clip	UU9.8/SUS301	Chuangshun Hardware Electronic Factory	N/A
5	Varnish	T-4260(a)/MW80-C	SuZhou TaiHu Electric Advanced Material Co Ltd	E228349

				Tianchang Fuan Electronic Co Ltd www.fuantronics.net TEL: +86-550-7814888 FAX: +86-550-7831133		 Tolerances unless otherwise specified: (X)±0.50 (XX)±0.25 Unit of measurement: mm		Make: <i>Jun</i> Checked: <i>BenSon</i> Approved: <i>AmSon</i>		<b>DRAWING TITLE</b> UU9.8 COMMON-CODE FILTER INDUCTOR Material Number: A24PL09XA350		Customer P/N: Document/Rev: 2201082/00 Specification Sheet: 1 of 1 Date of Recognition: Jan./02/2021	
REV	DESCRIPTION	APPD	DATE										