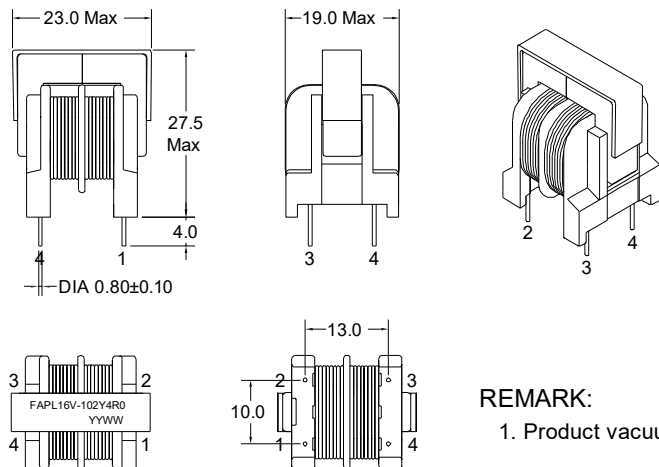


P/N: FAPL16V-102Y4R0

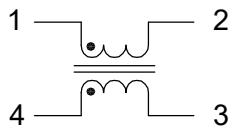
ROHS

### Outline Dimensions (Unit:mm)



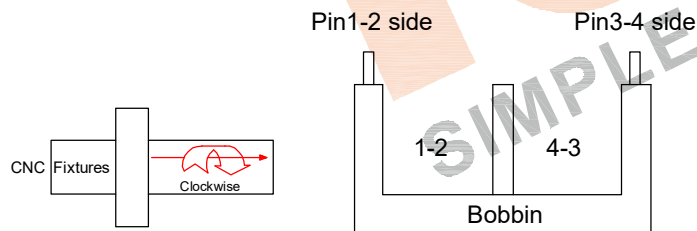
REMARK:  
1. Product vacuum impregnation.

### Electrical Schematic



"•" Polarity point

### Winding Construction:



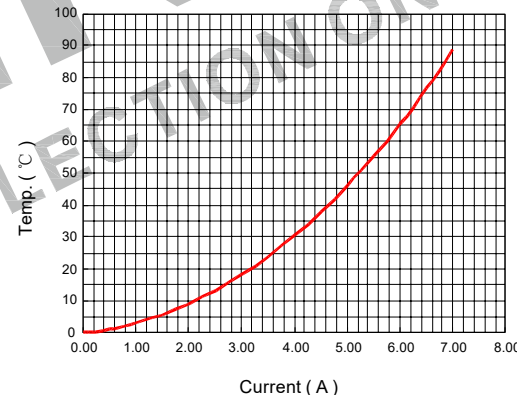
### Electrical Characteristics

Inductance : 1.0mH Min,at 10KHz,0.1V.  
Rated current : 4.0Amps.  
D.C.Resistance : 40.0 mohms Max.  
Turns Ratio : Wdg1:Wdg2=1:1±1%,at 20KHz,1V.  
Hipot : Coil-Coil : 1500VAC/3mA/2S.

### General Properties:

Operating Temperature:-40°C to +125°C  
(Temperature rise included).  
Storage Temperature:-25°C to +85°C.  
Storage Humidity:RH10%~70%.  
Weight: ≈20.0g

### Current VS Temp.(Simulation test)



### List of UL Certificate:

No.	Part Name	Mat'l Description	Supplier	UL Number
1	Bobbin	UU-1601-1 /T375J	Chang Chun Plastics Co Ltd	E59481
2	Copper wire	2UEW-F/155C	Dong Guan YiDa Industrial Co Ltd	E344055
3	Core	UU16-H10K	Fuan	N/A
4	Clip	UU16/SUS301	Chuangshun Hardware Electronic Factory	N/A
5	Varnish	T-4260(a)/MW80-C	SuZhou TaiHu Electric Advanced Material Co Ltd	E228349

Tianchang Fuan Electronic Co Ltd  
www.fuantronics.net  
TEL: +86-550-7814888  
FAX: +86-550-7831133



Tolerances unless otherwise specified:  
(.X)±0.50 (.XX)±0.25  
Unit of measurement: mm

Make: *Jun*  
Checked: *BenSon*  
Approved: *AmSon*

**DRAWING TITLE**  
UU16 COMMON-CODE  
FILTER INDUCTOR  
Material Number: A24PL16XA260

Customer P/N:  
Document/Rev: 2201123/00  
Specification Sheet: 1 of 1  
Date of Recognition: Jan./02/2021

REV	DESCRIPTION	APPD	DATE