

Transformer Module 16Pin series

FEATURES

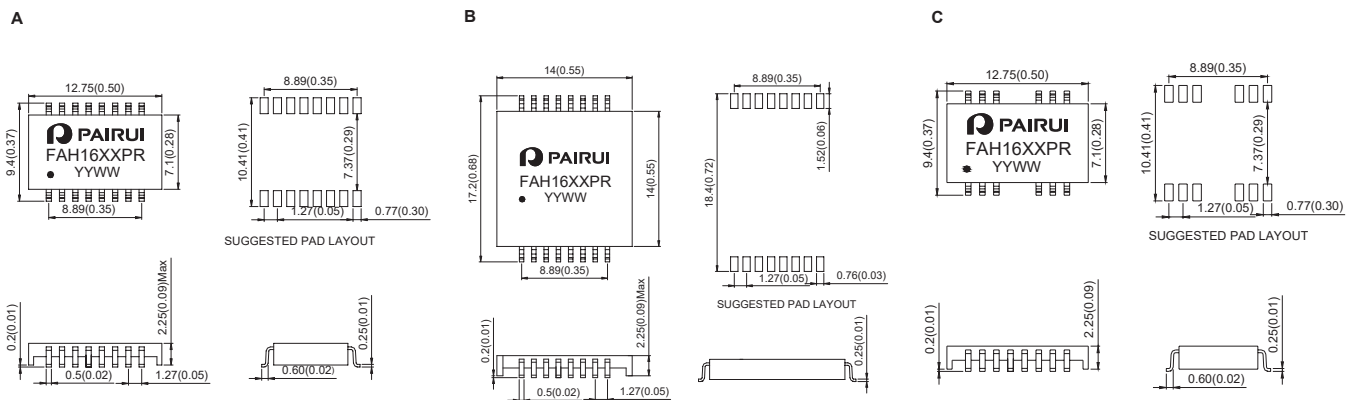
Compliant with IEEE 802.3 standard.
Small Package
RoHS compliant



Electrical Specification@25°C Operating Temperature 0 to 70°C

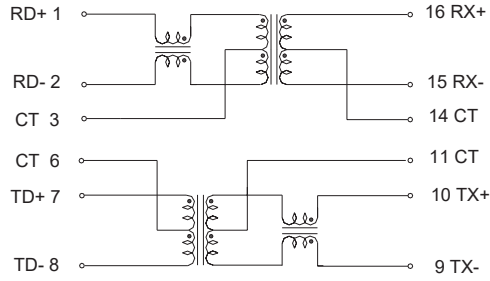
Part Number	Insertion Loss (dB Max) 1-100MHz	Return Loss (dB Typical) MHz				CMRR (dB Min) MHz		Cross talk (dB Min) MHz		Isolation Voltage (Vrms Min)	Primary Inductance (uH Min) 100KHZ,0.1V	Package
		1-30	40	50	60-80	0.1-60	60-100	0.1-60	60-100			
FAH1601PR	-1.0	-18	-14.4	-13.1	-12	-42	-40	-40	-38	1500	350	C
FAH1602PR	-1.0	-18	-14.4	-13.1	-12	-42	-40	-40	-38	1500	350	C
FAH1603PR	-1.0	-18	-14.4	-13.1	-12	-42	-40	-40	-38	1500	350	B
FAH1604PR	-1.0	-18	-14.4	-13.1	-12	-42	-40	-40	-38	1500	350	B
FAH1605PR	-1.0	-18	-14.4	-13.1	-12	-42	-40	-40	-38	1500	350	A
FAH1606PR	-1.0	-18	-14.4	-13.1	-12	-42	-40	-40	-38	1500	350	A
FAH1607PR	-1.0	-18	-14.4	-13.1	-12	-42	-40	-40	-38	1500	350 8mA DC Bias	A
FAH1608PR	-1.0	-18	-14.4	-13.1	-12	-42	-40	-40	-38	1500	350 8mA DC Bias	B

Dimension : mm[inch]+/-0.25[0.01]

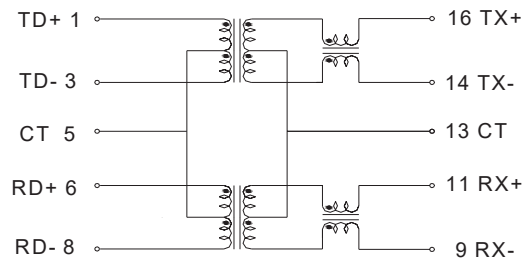


Schematic

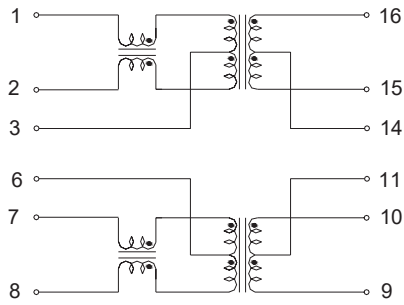
FAH1601PR,FAH1603PR,FAH1607PR,FAH1608PR



FAH1604PR,FAH1605PR



FAH1606PR



FAH1602PR

