
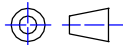


Code No.: FAY01353

REMARK:			REV.	REVISIONS REC.	DATE:	
1.			1.			
2.			2.			
DRAWN BY	Yuing.yu	TOLERANCES 0<L<4 ±0.10 4<L<16 ±0.20 16<L<63 ±0.30 Pin pitch: ±0.2 Wall thickness: ±0.15	ANGLE:	MODEL NAME:		
CHECKED BY	Yong.zhan		±1°	ER11.5(6+6P)-1S		
APPROVED BY	Xueliang.zhan		UNIT:	BOBBIN MATERIAL:	UL REC.	
 天长市富安电子有限公司 TIAN CHANG FUAN ELECTRONIC CO.,LTD TEL:+86-550-7814888 FAX:+86-550-7831133 Http: www.fuantronics.net			MM	PM6930	UL 94V-0	
			SCALE:	PIN MATERIAL:	REV.	
			2:1	CP WIRE	0	
				DRAWING NO:	DATE:	
				SMD-ER-1104	2020.03.06	